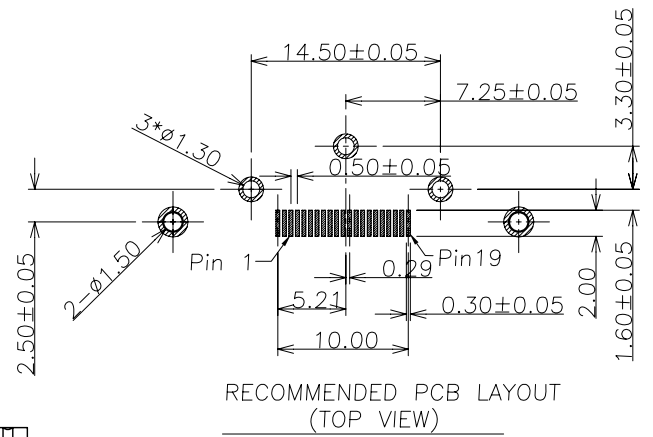
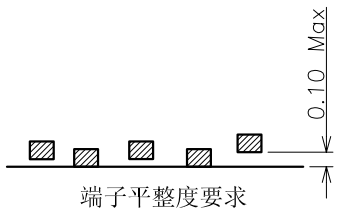
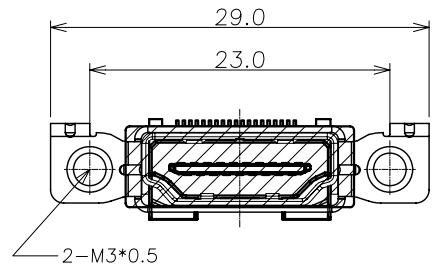
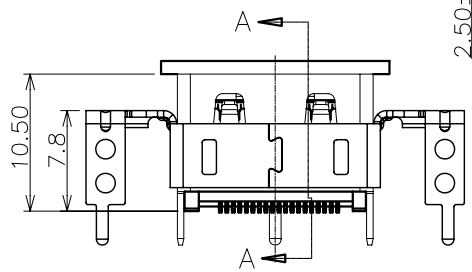
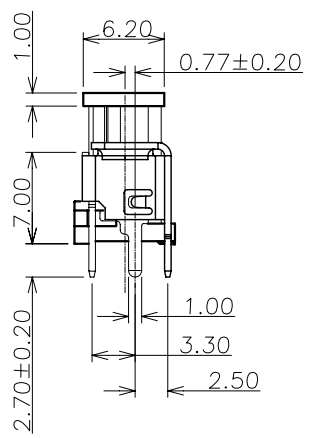
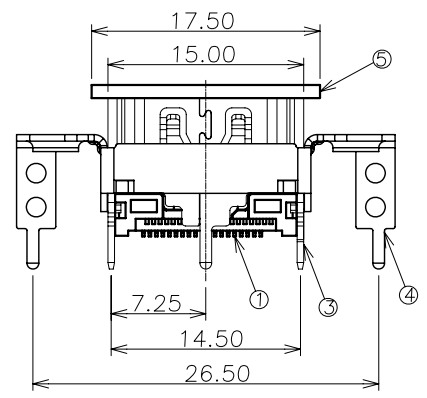


RoHS

Mark	ECN NO.	DESCRIPTION	DESIGN	Date:
A	—	New	—	—

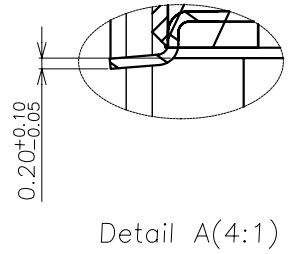
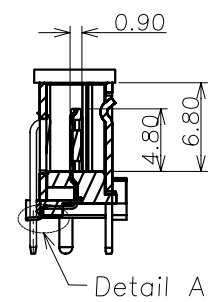
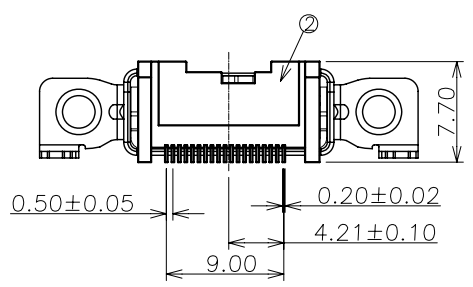


RECOMMENDED PCB LAYOUT (TOP VIEW)



NOTE:

- Material:
 - Housing: Thermoplastics,UL94V-0; COLOR: BLACK
 - Contact: Copper Alloy
 - Shell: Copper Alloy
 - Outside Shell: SPCC
- FINISH:
 - Contact: Au Plated on Contact Area, Matte Tin Plated on Solder Tails, Nickel Underplating Over All.
 - Shell: Nickel Underplating Over All.
- Specification:
 - 3.1: Electrical:
 - Insulation Resistance(EIA-364-21): 100mΩ Min. at 500V/DC for 1Minute.
 - Contact Resistance(EIA-364-06): 30 mΩ Max.
 - Dielectric Withstanding Voltage(EIA-364-20): No discharge, flashover or breakdown at 500V/AC 1Minute



5	STOPPLE	1	LCP	UL94V-0, BLACK
4	OUTSIDE SHELL	1	SPCC	PLATED Ni
3	SHELL	1	C2680R-H	PLATED Au
2	HOUSING	1	C2680R-H	UL94V-0, B
1	CONTACT	19	C2680R-H	PLATED Au
NO.	ITEM	Q'TY	DESCRIPTION	FINISH

Tolerance X.X ±0.30 X.XX ±0.25 X.XXX ±0.15 Angle ±2.0°	Model Name: HDMI 19P SMT 180度 窗口10.5H 双锁孔7.8H 带端子 载带包装				Drawing: Lijian
	Model No: WLDM-016A				Checked: Lijian
	UNIT: mm	SCALE: Full	REVISION: A	SHEET: 1/1	Approved: WEI JI YANG
	 深圳市兴万联电子有限公司 SHENZHEN XINGWANLIAN TECHNOLOGY CO.,LTD				Date: 2013.11.13
					DWG NO. FILE: C