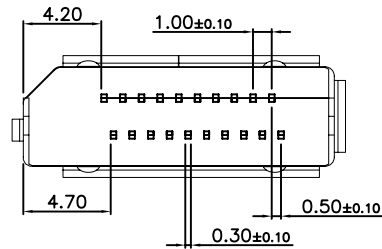


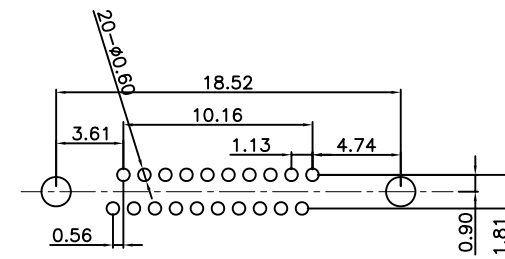
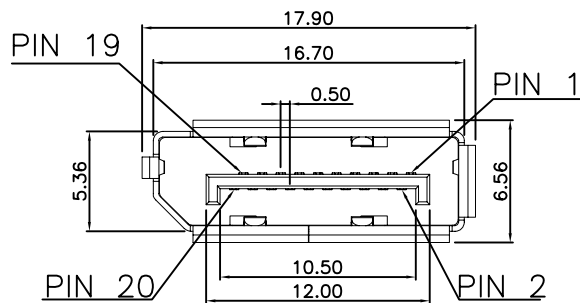
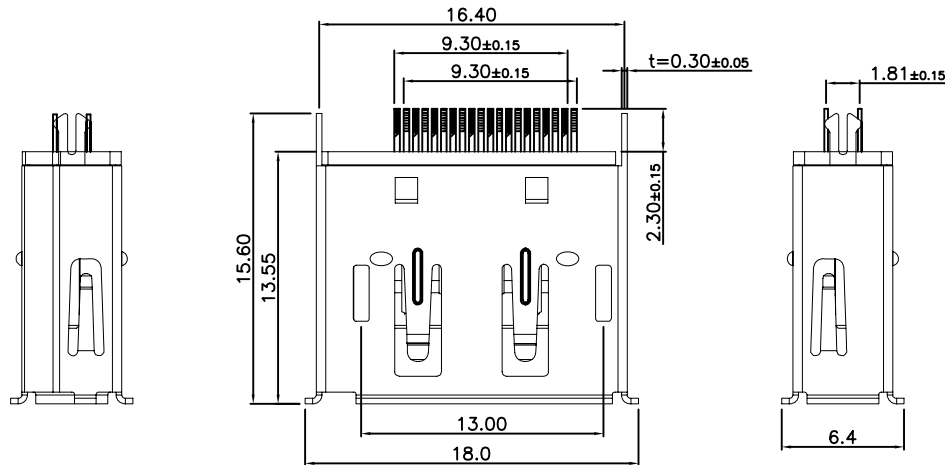
RoHS

Mark	ECN NO.	DESCRIPTION	DESIGN	Date:
A		NEW		



NOTE:

- Material:
 - Housing: Thermoplastics, UL94V-0; Color: Black
 - Contact: Copper Alloy
 - Shell: Spcc
- FINISH:
 - Contact: G.F Plated on Contact Area, Tin 100u Plated on Solder Tails, Nickel 50u Underplating Over All.
 - Shell: Nickel 80u Underplating Over All.



P.C.B LAYOUT
(TOP VIEW)

Tolerance X.X ±0.30 X.XX ±0.25 X.XXX ±0.15 Angle ±2.0°	Model Name: DP 180度 DIP 两脚鱼叉 母座				Drawing: PYP	
	Model No: WLDP-013A				Checked: YSX	
	UNIT: mm	SCALE: FULL	REVISION: A	SHEET: 1/1	Approved: Lijian	
					Date: 2015.12.01	
	WLCO ® 深圳市兴万联电子有限公司 SHENZHEN XINGWANLIAN TECHNOLOGY CO.,LTD				DWG NO.	
					FILE: C	