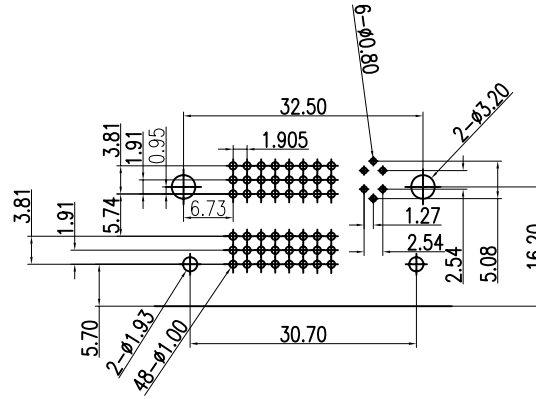
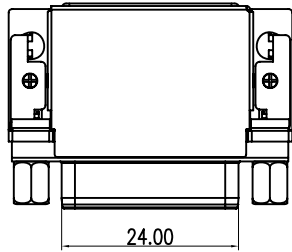
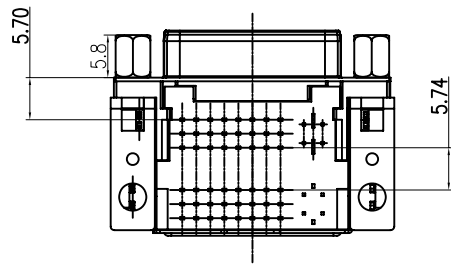
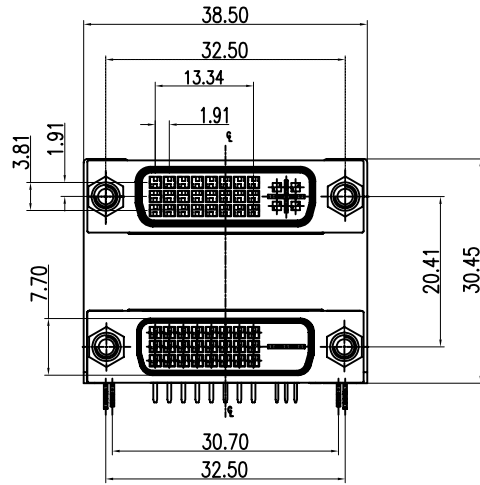
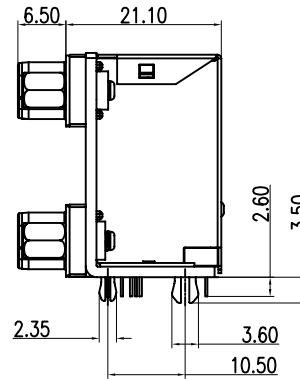


RoHS

Mark	ECN NO.	DESCRIPTION	DESIGN	Date:
A	—	New	—	—



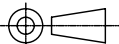
PCB LAYOUT



NOTE:

一、MATERIALS:

1. Housing: PA66 , Color: Black;
2. Cover UP:PA66 ,Color: Black;
3. Cover Down:PA66 ,Color: Black;
4. Bracket:SPCC ;Plate:Cu Underplate Nickel Plated Overall;
5. Boardlock:Copper Alloy Ni Underplated Sn Plated Overall;
6. Shell:SPCC, Cu Underplated Nickel Overall;
7. EMI Shell: Rustless Iron
8. Contacts: Copper Alloy,NI Underplated, Contact Area Au ,Solder Area Sn;
9. Rivet: Copper Alloy Ni Overall;
10. Screw: Nickel Plated.

Tolerance X.X ±0.30 X.XX ±0.25 X.XXX ±0.15 Angle ±2.0°	Model Name: 双层DVI (上24+5下24+1) 铆锁5.8 带屏蔽壳 黑胶 金属面板式				Drawing: JQL
	Model No: WLDV-137A				Checked: Lijian
UNIT: mm SCALE: Full REVISION: A SHEET: 1/1	Approved: WEI JI YANG			Date: 2013.08.31	
	DWG NO.				FILE: C
 WLCO [®] 深圳市兴万联电子有限公司 SHENZHEN XINGWANLIAN TECHNOLOGY CO.,LTD					