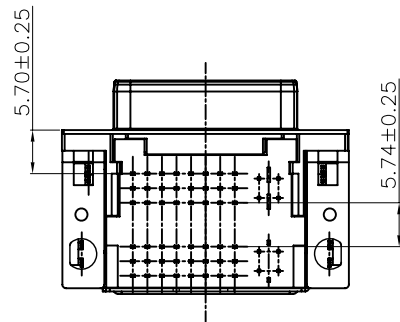
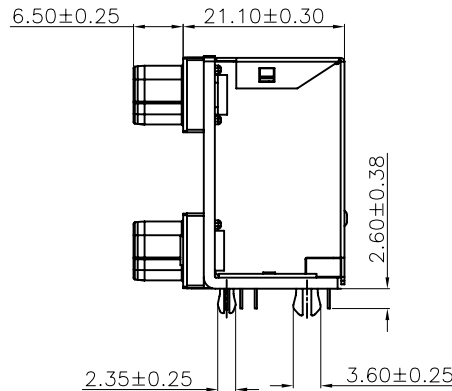
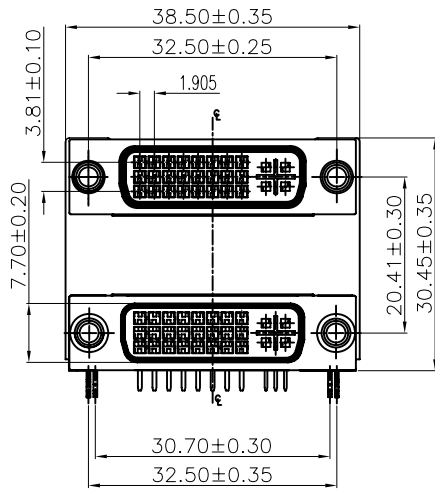
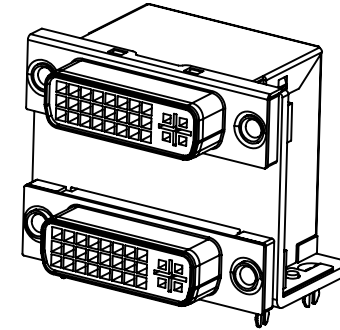
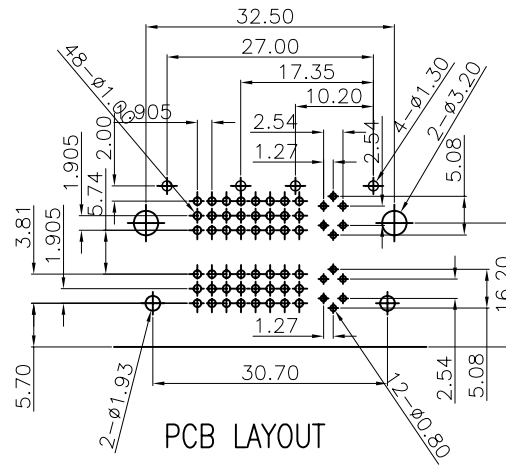
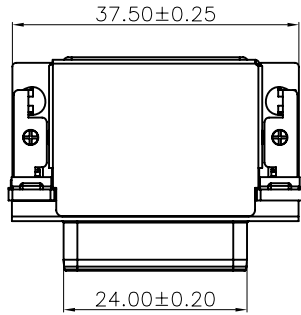


RoHS

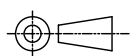
Mark	ECN NO.	DESCRIPTION	DESIGN	Date:



NOTE:

一、 MATERIALS:

1. Housing: PA66, Color: Black
2. Cover UP: PA66, Color: Black
3. Cover Down: PA66, Color: Black
4. Bracket: SPCC Nickel plated
5. Boardlock: Copper Alloy Ni Sn Plated
6. Shell: SPCC Nickel plated
7. EMI Shell: SPCC Sn Plated
8. Contacts: Copper Alloy, Gold Flash Plated on Contact Area  
Sn Plated on Solderails Nickel Under Plated Over All
9. Rivet: Copper Alloy Nickel plated

Tolerance X.X ±0.25 X.XX ±0.15 X.XXX ±0.10 Angle ±2.0°	Model Name: 双层DVI24+5铆附锁 带屏蔽壳 黑胶(青铜) 金属面板(支架37.5)				Drawing: Zengling
	Model No: WLDV-080A				Checked: Lijian
UNIT: mm SCALE: FULL REVISION: A SHEET: 1/1	Approved: WEI JI YANG		Date: 2012.02.18		
	DWG NO.				FILE: C
 <b>WLCO</b> <sup>TM</sup> 深圳市兴万联电子有限公司 SHENZHEN XINGWANLIAN TECHNOLOGY CO.,LTD					