

RoHS

| | | | | |
|------|---------|-------------|--------|-------|
| Mark | ECN NO. | DESCRIPTION | DESIGN | Date: |
| | | | | |

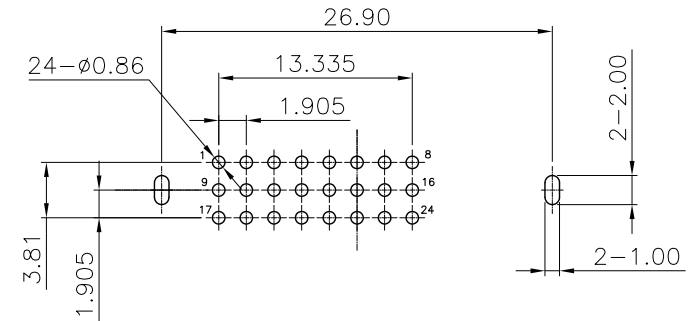
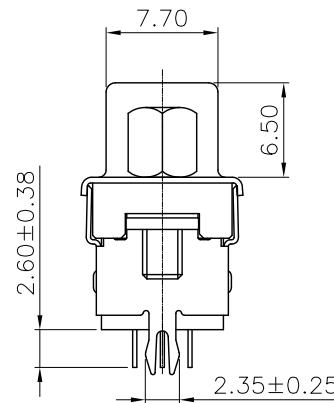
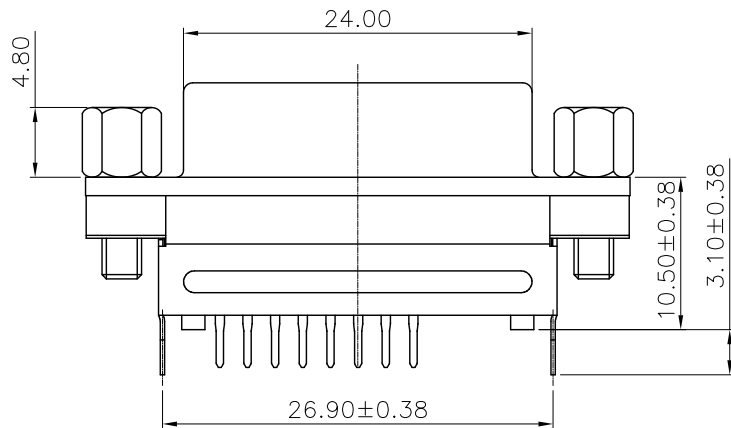
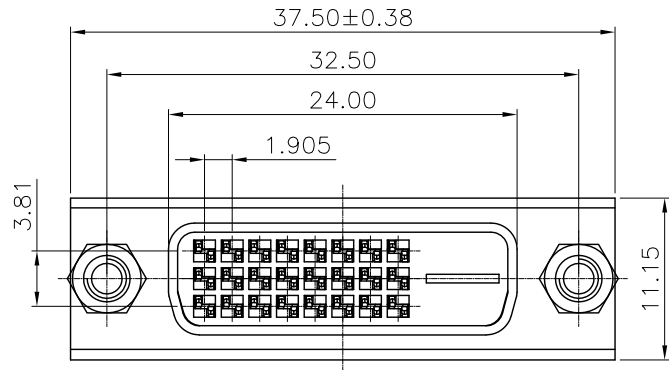
NOTE:

MATERIALS:

1. Housing: PBT Color: Beige UL94V-0
2. Cover: PBT Color: Beige UL94V-0
3. Contacts: Brass
4. Shell: SPCC
5. Shield: SPCC
6. Rivet: Copper Alloy
7. Screw: SPCC

FINISH:

1. Contacts: Gold Flash Plated on Contact Area
Sn Plated on Solderails
Nickel Under Plated Over All
2. Shell: Nickel Plated
3. Shield: Nickel Plated
4. Rivet: Nickel Plated
5. Screw: Nickel Plated



PCB LAYOUT

| | | | | | | |
|--|---|--------|-----------|---|------------------|---------|
| Tolerance X.X ±0.30 X.XX ±0.25 X.XXX ±0.10 Angle ±2.0° | Model Name: DVI24+1 铜铆4.8 180度10.5H PBT胶芯C环保防火 鱼叉间距26.9MM 带屏蔽壳 鱼叉宽2.35MM | | | | Drawing: 彭媛平 | |
| | Model No: WLDV-209A | | | | Checked: 姚世宣 | |
| | UNIT: | SCALE: | REVISION: | SHEET | Approved: 李建 | |
| | mm | FULL | A | 1/1 | Date: 2017.08.15 | |
| | | | | WLCO 深圳市兴万联电子有限公司 SHENZHEN XINGWANLIAN TECHNOLOGY CO.,LTD | | DWG NO. |
| | | | | FILE: C | | |