

RoHS

| | | | | |
|------|---------|-------------|--------|-------|
| Mark | ECN NO. | DESCRIPTION | DESIGN | Date: |
| | | | | |

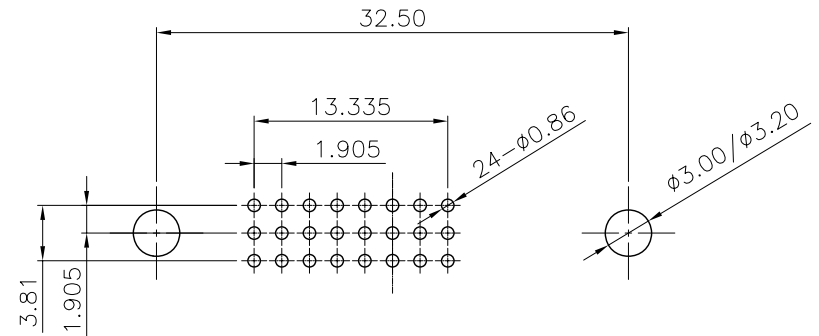
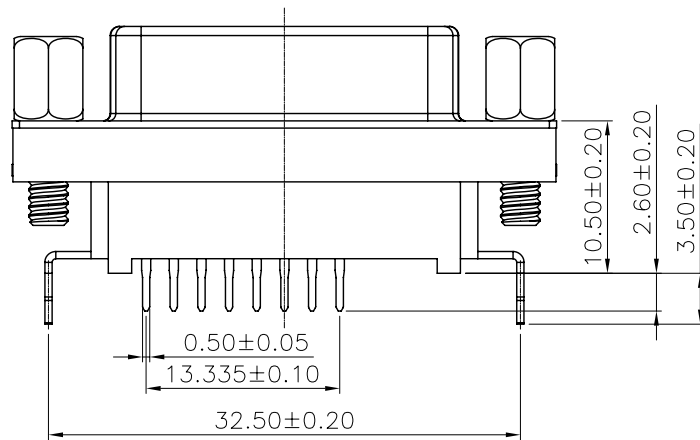
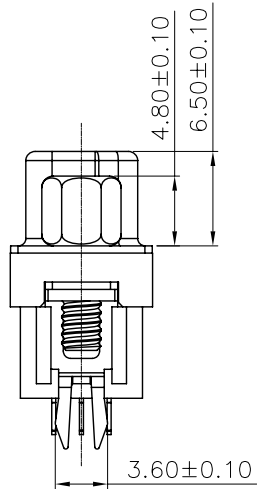
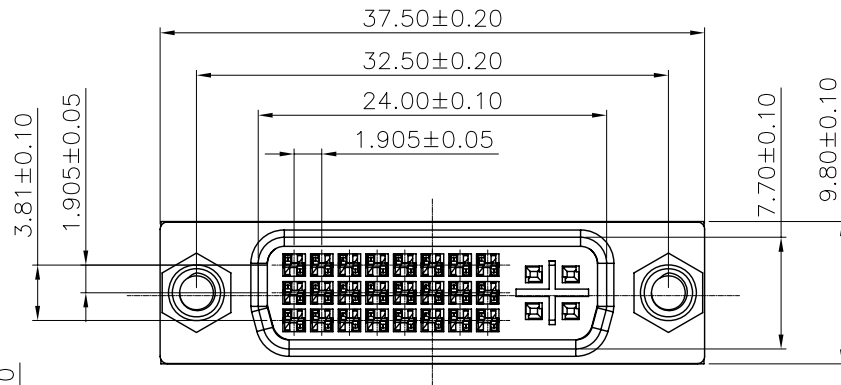
NOTE:

MATERIALS:

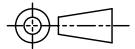
1. Housing: PBT Color: White UL94V-0
2. Cover: PBT Color: White UL94V-0
3. Contacts: Brass
4. Shell: SPCC
5. Board Lock: SPCC
6. Screw: SPCC

FINISH:

1. Contacts: Gold Flash Plated on Contact Area
Sn Plated on Solderails
Nickel Under Plated Over All
2. Shell: Nickel Plated
3. Board Lock: Sn Plated Over Nickel
4. Screw: Nickel Plated



PCB LAYOUT(T=1.2mm/T=1.6mm)
TOP VIEW

| | | | | | | |
|---|---|--------|-----------|-------|-----------------------|--|
| Tolerance X.X ±0.25 X.XX ±0.15 X.XXX ±0.10 Angle ±2.0° | Model Name: DVI24+0 直插4.8 180度10.5H(24+5 PBT胶芯防火) 鱼叉间距32.5MM. 鱼叉宽3.6MM | | | | Drawing: Zengling | |
| | Model No: WLDV-072A | | | | Checked: Lijian | |
| | UNIT: | SCALE: | REVISION: | SHEET | Approved: WEI JI YANG | |
| | mm | FULL | B | 1/1 | Date: 2012.04.19 | |
|  | WLCO ® 深圳市兴万联电子有限公司 SHENZHEN XINGWANLIAN TECHNOLOGY CO.,LTD | | | | DWG NO. | |
| | | | | | FILE: | |