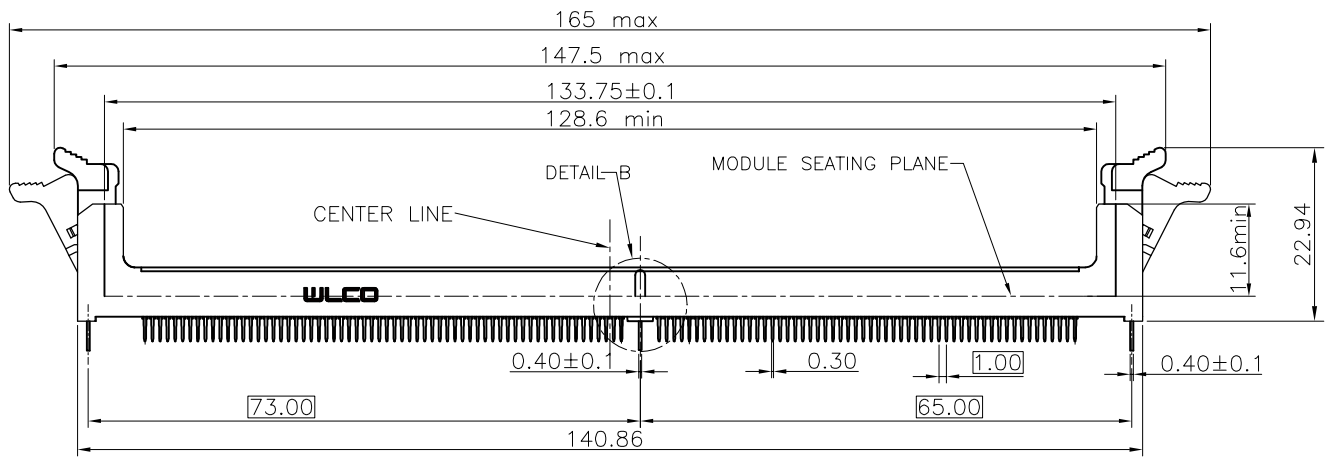
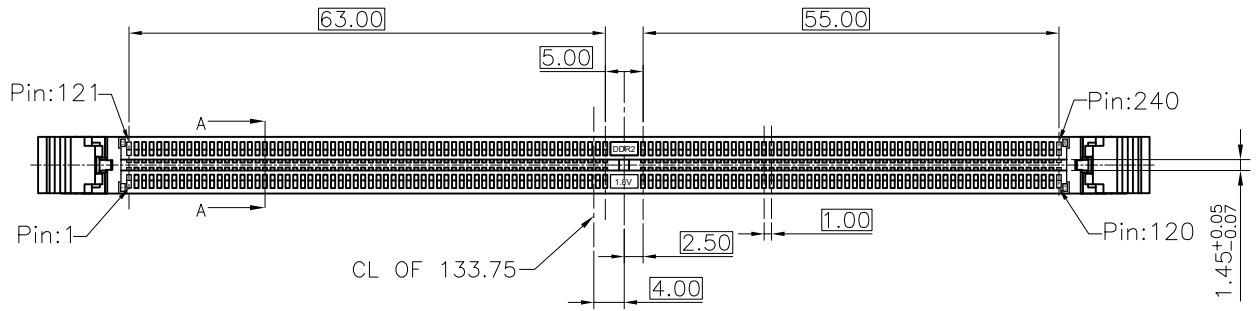
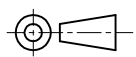


RoHS GP HF

REV.	ECR/N NO.	DESCRIPTION	DRAWN	DATE
B	_____	_____	LongQiang	20/03/14
C	_____	_____	LongQiang	20/04/27
D	_____	_____	LongQiang	21/04/13

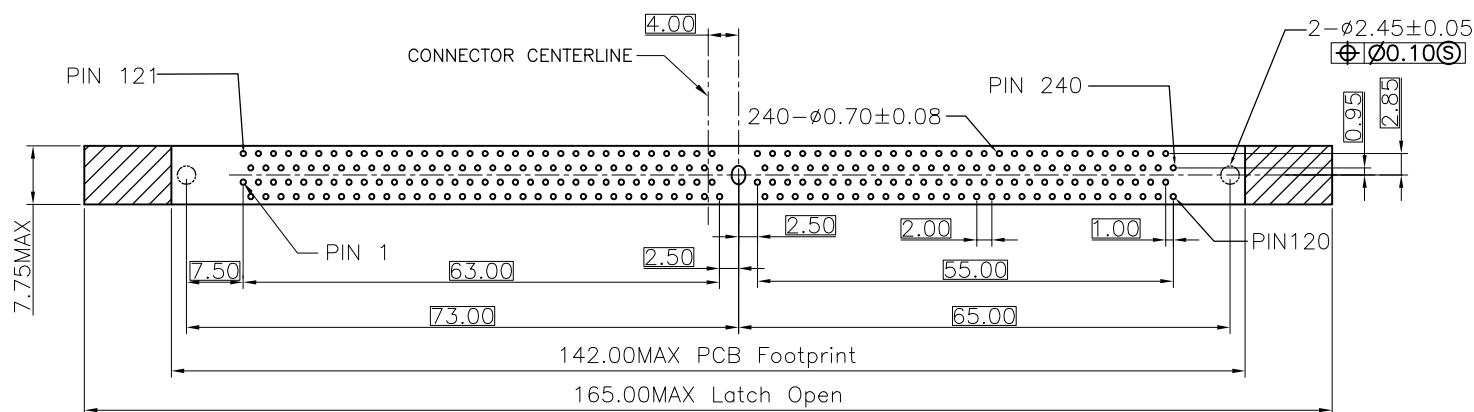
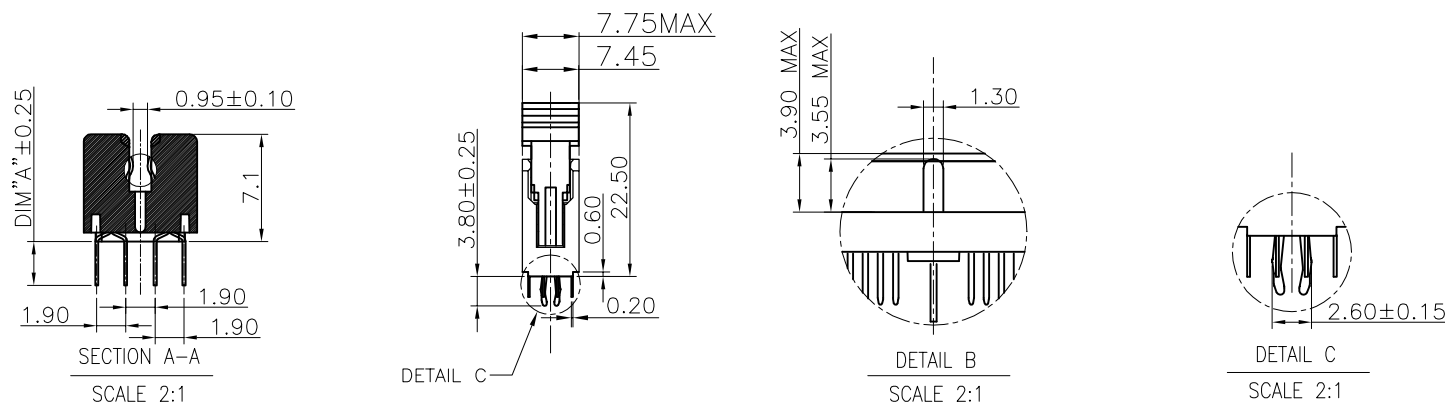


- Materials.
 - Housing: High Temp Thermoplastic UL94-V0 V2 OR HB
 - Contact: Copper alloy
 - Latch: High Temp Thermoplastic UL94-V0 V2 OR HB
 - Forklock: Copper alloy OR Steel alloy
- Finish
 - Contact : 50u"min nickel under plated, gold G/F plating on contact area, 100u"(min) Matte Tin <Lead free> plating on solder area.
 - Forklock: 50u"(min) Nickel under plated and 100u"(min) Matte Tin <Lead free> plating OR only 80u"(min) Nickel under plated.
- Specification
 - Current Rating: 0.5A(max)
 - Dielectric Withstanding Voltage: 500V AC min
 - Contact Resistance: 30 Milliohms max
 - Insulation Resistance: 1000 Megohms min
 - Contact Retention Force: 0.3kgf min per pin
 - Insertion Force: 10.89kgf max
 - Withdrawal Force: 1.68kgf min
 - Durability : 25 cycles min
 - Operating Temperature: -55° C to +85° C

TOLERANCE X.X ±0.35 X.XX ±0.25 X.XXX ±0.10 ANGLE ±1.0°	MODEL NAME: DDR2 240PIN TYPE				DRAWN: LongQiang.Peng	
	MODEL NO: SEE TABLE				CHECKED: LongQiang.Peng	
	UNIT:	SCALE:	REVISION:	SHEET	APPROVED: YouHua.Cai	
	mm	1:1	D	1/4	DATE: 2021/04/13	
 WLCO 深圳市兴万联电子有限公司 SHENZHEN XING WAN LIAN ELECTRONICS CO.,LTD.				DWG NO: CUS-WLDD-R201		
				FILE: C		

RoHS GP HF

REV.	ECR/N NO.	DESCRIPTION	DRAWN	DATE
B	_____	_____	LongQiang	20/03/14
C	_____	_____	LongQiang	20/04/27
D	_____	_____	LongQiang	21/04/13

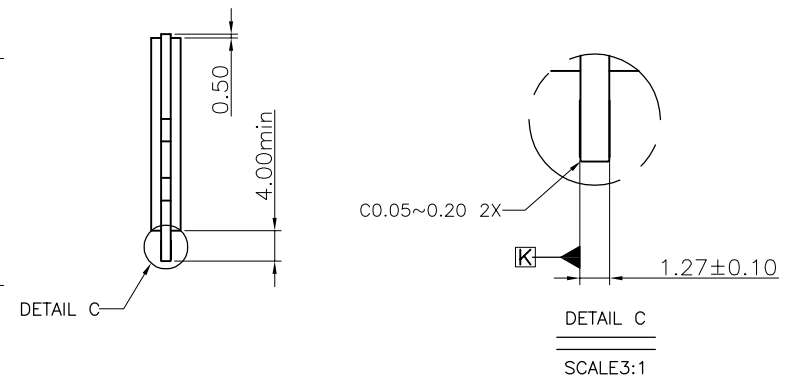
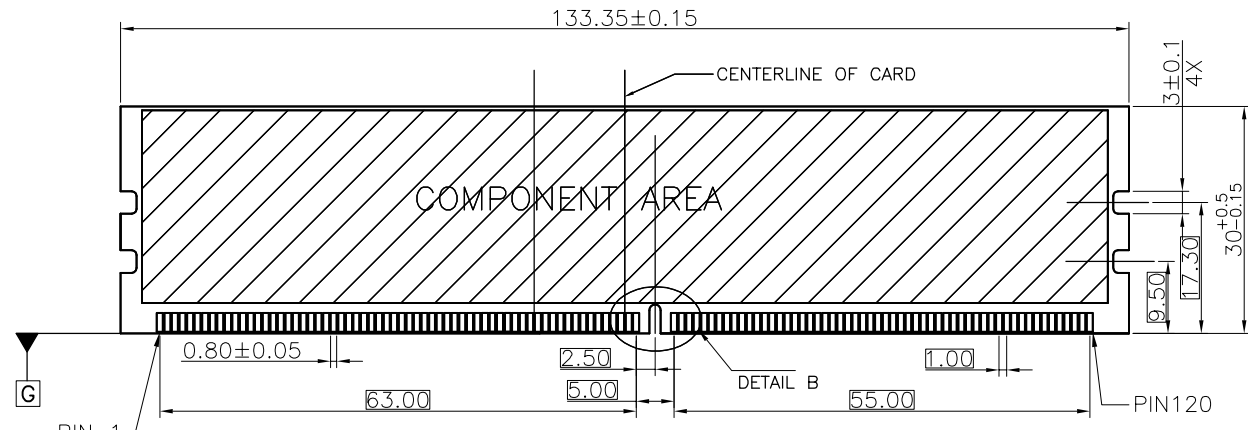


RECOMMENDED PC BOARD HOLE LAYOUT

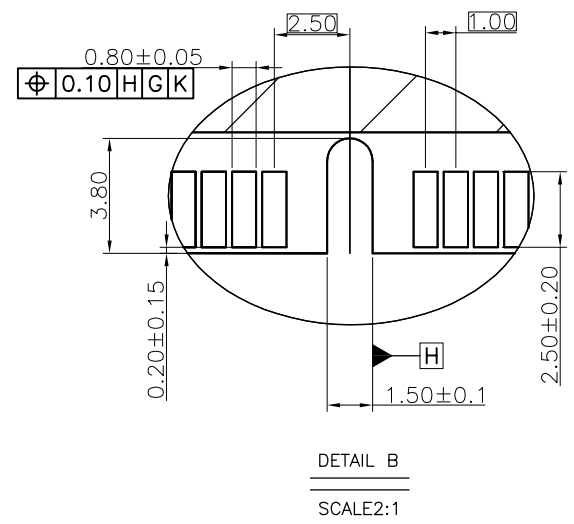
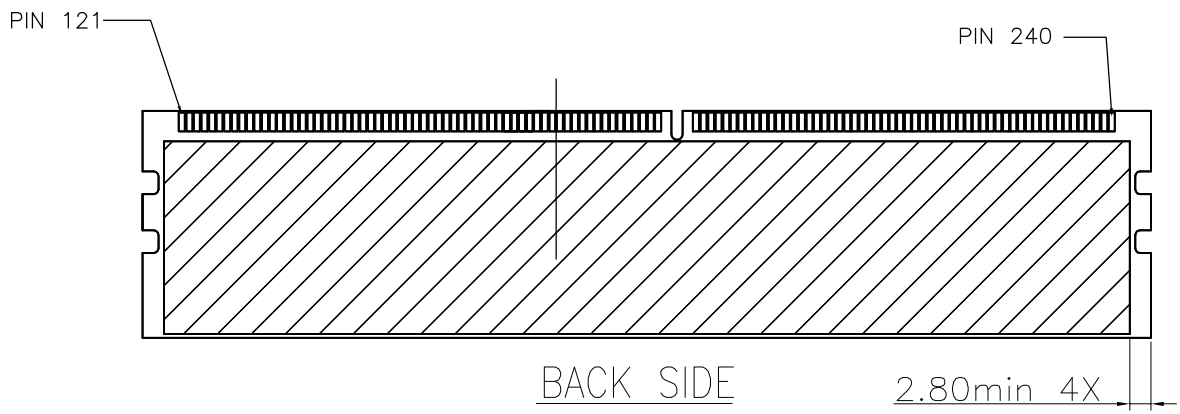
TOLERANCE X.X ±0.35 X.XX ±0.25 X.XXX ±0.10 ANGLE ±1.0°	MODEL NAME: DDR2 240PIN TYPE				DRAWN: LongQiang.Peng
	MODEL NO: SEE TABLE				CHECKED: LongQiang.Peng
	UNIT:	SCALE:	REVISION:	SHEET	APPROVED: YouHua.Cai
	mm	1:1	D	2/4	DATE: 2021/04/13
		WLCO 深圳市兴万联电子有限公司 SHENZHEN XING WAN LIAN ELECTRONICS CO.,LTD.			DWG NO:CUS-WLDD-R201
					FILE: C

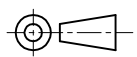
RoHS GP HF

REV.	ECR/N NO.	DESCRIPTION	DRAWN	DATE
B			LongQiang	20/03/14
C			LongQiang	20/04/27
D			LongQiang	21/04/13



RECOMMENDED MODULE LAYOUT



TOLERANCE X.X ±0.35 X.XX ±0.25 X.XXX ±0.10 ANGLE ±1.0°	MODEL NAME: DDR2 240PIN TYPE				DRAWN: LongQiang.Peng
	MODEL NO: SEE TABLE				CHECKED: LongQiang.Peng
	UNIT:	SCALE:	REVISION:	SHEET	APPROVED: YouHua.Cai
	mm	1:1	D	3/4	DATE: 2021/04/13
 WLCO 深圳市兴万联电子有限公司 SHENZHEN XING WAN LIAN ELECTRONICS CO.,LTD.				DWG NO: CUS-WLDD-R201	
				FILE: C	

1
RoHS

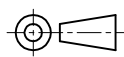
2
GP

3
HF

REV.	ECR/N NO.	DESCRIPTION	DRAWN	DATE
B	_____	_____	LongQiang	20/03/14
C	_____	_____	LongQiang	20/04/27
D	_____	_____	LongQiang	21/04/13

TABLE

NO.	PART NO.	SPECIFICATION	HSF COMPLIANT	DIM"A"
1	WLDD-071A	HOUSING_PA66 BLACK UL94 HB, LATCH_PA66 WHITE, CONTACT_C2680 G/F, Ni50u HOOK_ STEEL ALLOY NICKEL PLATING	RoHS COMPLIANT	2.70mm

TOLERANCE X.X ±0.35 X.XX ±0.25 X.XXX ±0.10 ANGLE ±1.0°	MODEL NAME: DDR2 240PIN TYPE			DRAWN: LongQiang.Peng
	MODEL NO: SEE TABLE			CHECKED: LongQiang.Peng
	UNIT:	SCALE:	REVISION:	SHEET
	mm	1:1	D	4/4
 WLCO 深圳市兴万联电子有限公司 SHENZHEN XING WAN LIAN ELECTRONICS CO.,LTD.				DATE: 2021/04/13
				DWG NO:CUS-WLDD-R201
				FILE: C