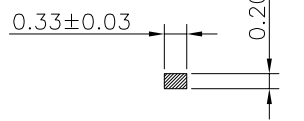
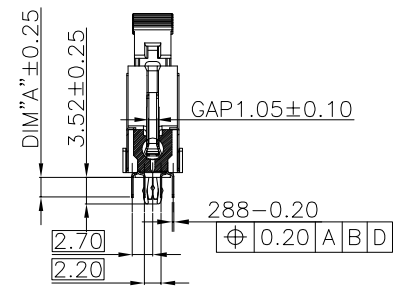
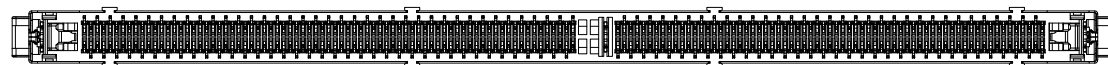
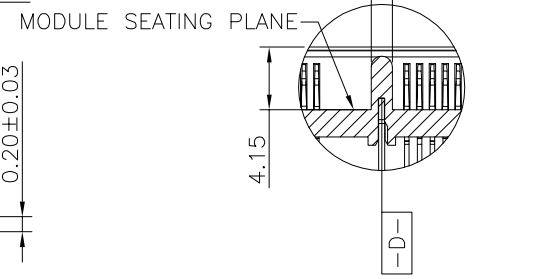
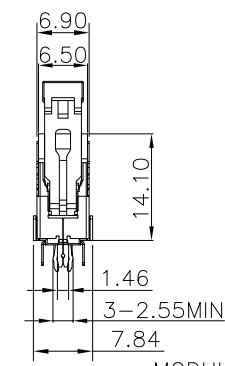
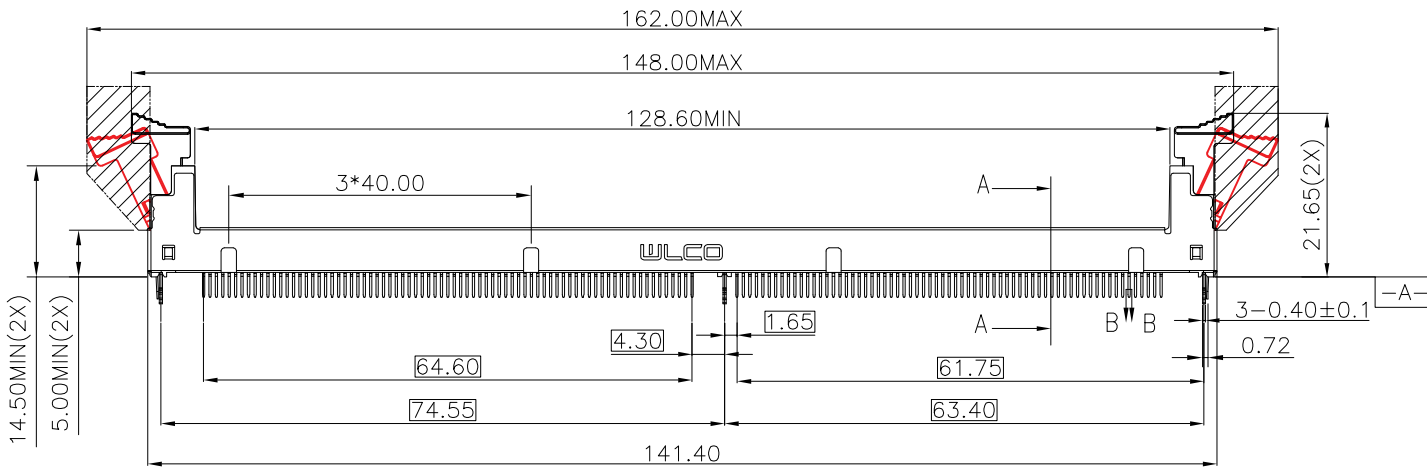
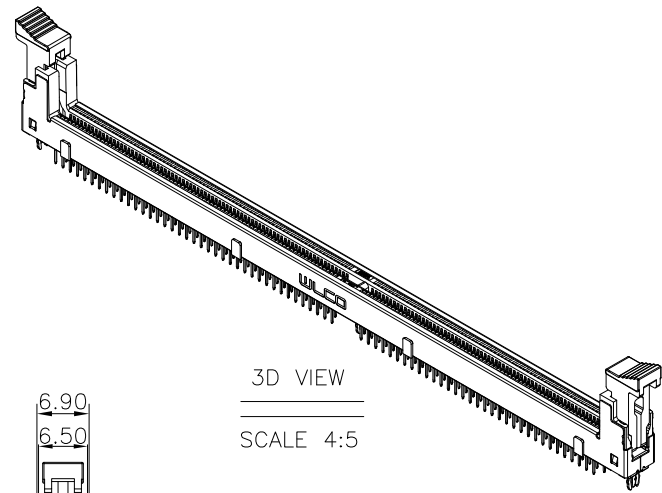
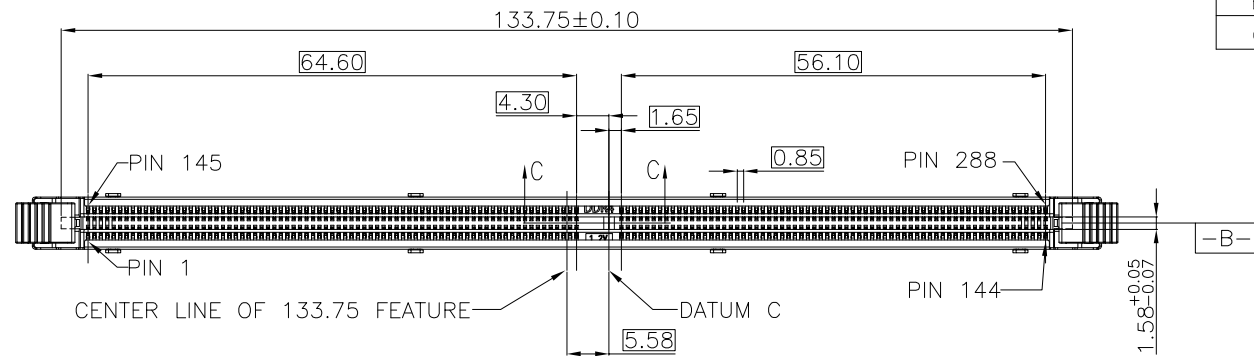


REV.	ECR/N NO.	DESCRIPTION	DRAWN	DATE
A	—	NEW	LongQiang	20/07/09
B	—	—	LongQiang	20/10/19
C	—	—	XiaoPeng	21/08/24

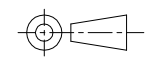


SOLDER TAIL SECTION
SEC B-B 10:1

SEC C-C
SCALE 2:1

SEC A-A
SCALE 1:1

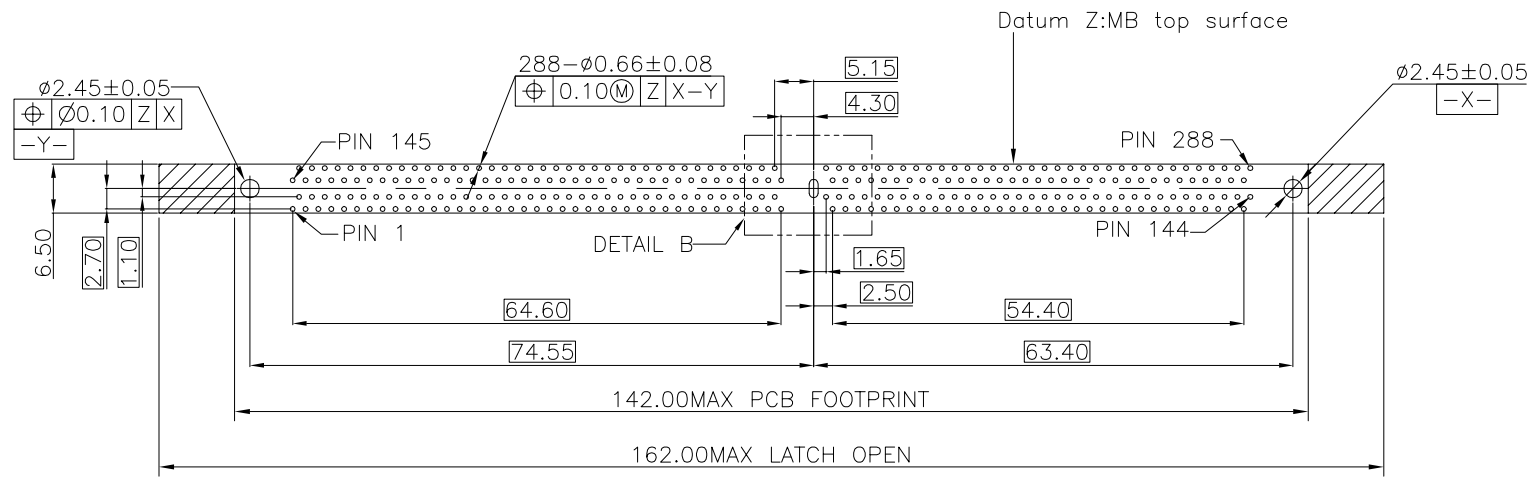
TOLERANCE	MODEL NAME:DDR4 288P DOUBLE LATCH WITH SHELL TYPE	DRAWN:	XiaoPeng.Zhang
X.X ±0.35	MODEL NO: SEE TABLE	CHECKED:	YouHua.Cai
X.XX ±0.25	UNIT: mm	APPROVED:	YouHua.Cai
X.XXX ±0.10	SCALE: 1:1	DATE:	2021/08/24
ANGLE ±1.0°	REVISION: C	DWG NO:C-WLDD-288P06	
	SHEET 1/5	FILE: C	



WLCO 深圳市兴万联电子有限公司
SHENZHEN XING WAN LIAN ELECTRONICS CO.,LTD.

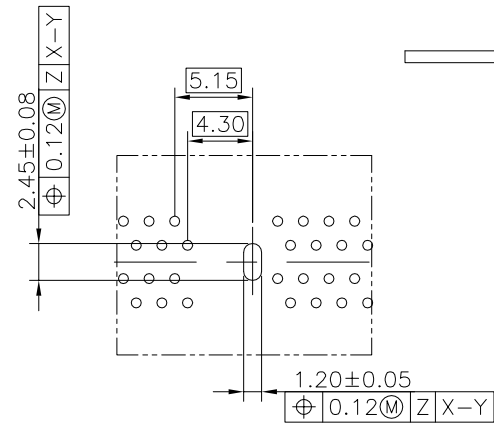
RoHS GP HF

REV.	ECR/N NO.	DESCRIPTION	DRAWN	DATE
A	—	NEW	LongQiang	20/07/09
B	—	—	LongQiang	20/10/19
C	—	—	XiaoPeng	21/08/24



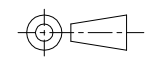
RECOMMENDED PCB LAYOUT
 DEFAULT TOLERANCE ± 0.05

RECOMMENDED PCB THICKNESS
 DEFAULT TOLERANCE ± 0.05



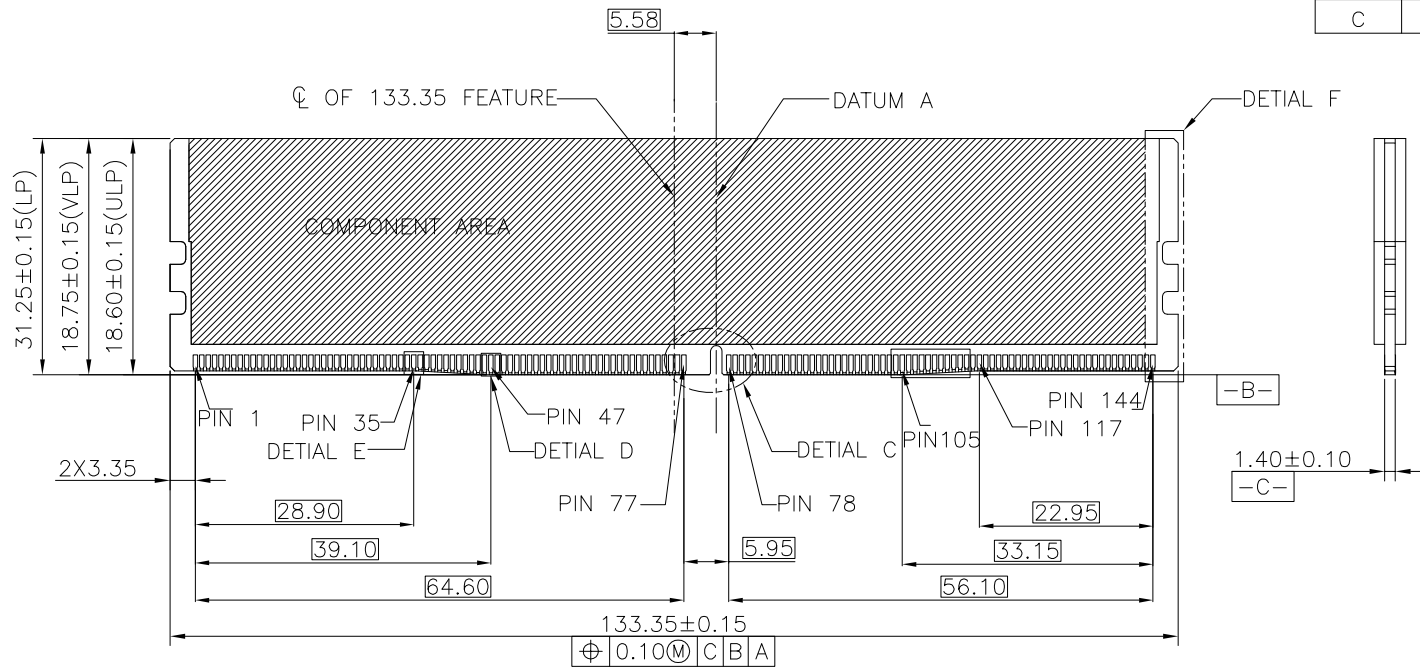
DETAIL B
 SCALE: 2:1

TOLERANCE	MODEL NAME:DDR4 288P DOUBLE LATCH WITH SHELL TYPE	DRAWN:	XiaoPeng.Zhang
X.X ± 0.35	MODEL NO: SEE TABLE	CHECKED:	YouHua.Cai
X.XX ± 0.25	UNIT:	APPROVED:	YouHua.Cai
X.XXX ± 0.10	mm	DATE:	2021/08/24
ANGLE $\pm 1.0^\circ$	SCALE:	DWG NO:C-WLDD-288P06	
	1:1	REVISION:	C
		SHEET	2/5
		FILE:	C

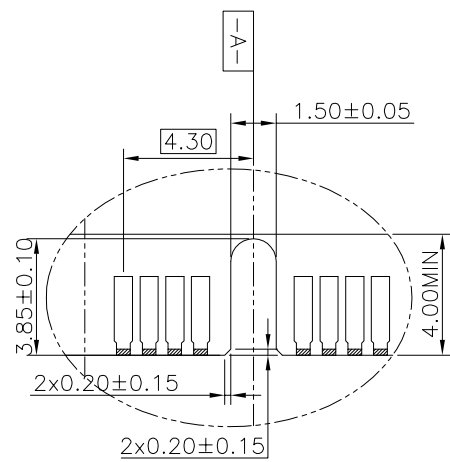


WLCO 深圳市兴万联电子有限公司
 SHENZHEN XING WAN LIAN ELECTRONICS CO., LTD.

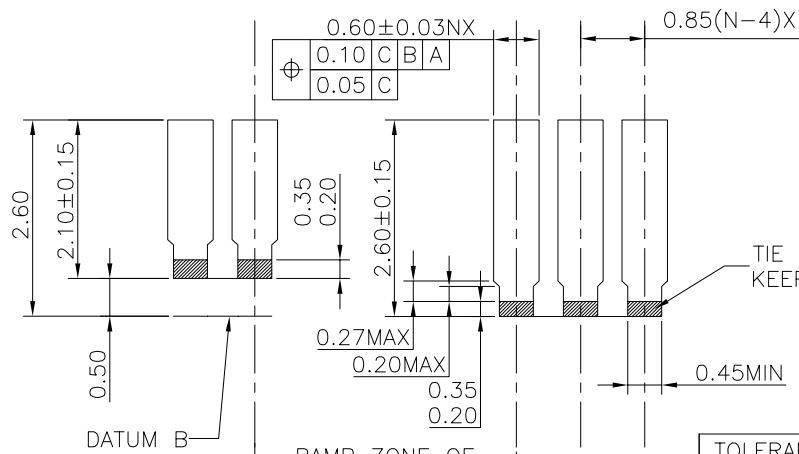
REV.	ECR/N NO.	DESCRIPTION	DRAWN	DATE
A	—	NEW	LongQiang	20/07/09
B	—	—	LongQiang	20/10/19
C	—	—	XiaoPeng	21/08/24



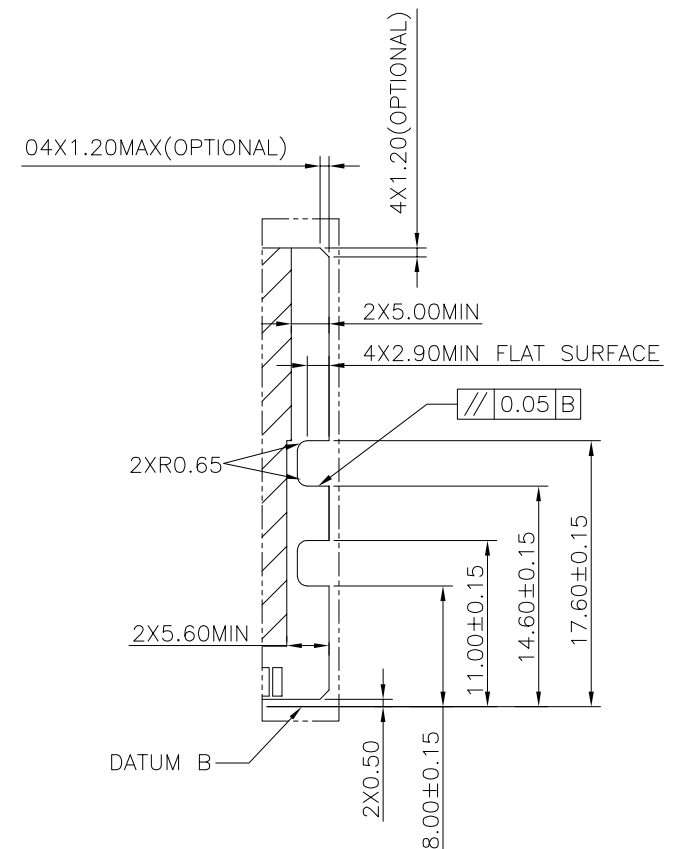
RECOMMENDED CARD EDGE FINGER
 DEFAULT TOLERANCE ±0.05



DETAIL C
 SCALE 4:1

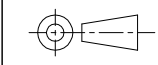


DETAIL E SCALE 10:1
 DETAIL D SCALE 10:1



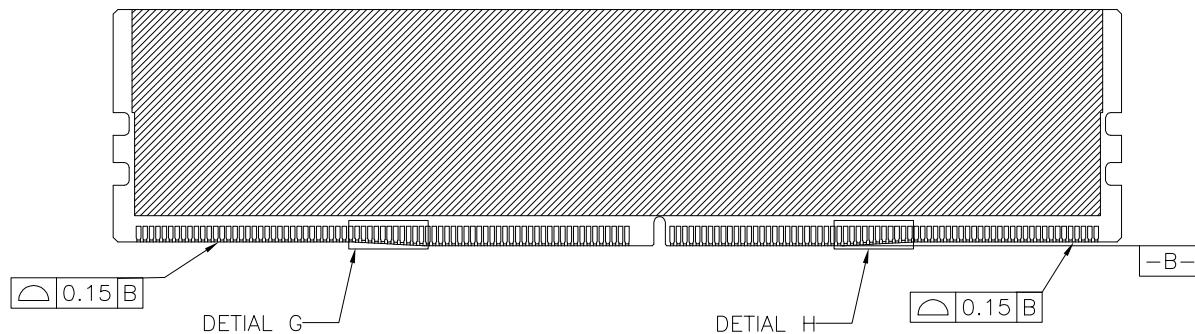
DETAIL F
 SCALE 2:1

TOLERANCE		MODEL NAME:DDR4 288P DOUBLE LATCH WITH SHELL TYPE				DRAWN: XiaoPeng.Zhang	
X.X	±0.35	MODEL NO: SEE TABLE				CHECKED: YouHua.Cai	
X.XX	±0.25	UNIT:	SCALE:	REVISION:	SHEET	APPROVED: YouHua.Cai	
X.XXX	±0.10	mm	1:1	C	3/5	DATE: 2021/08/24	
ANGLE	±1.0°	DWG NO:C-WLDD-288P06				FILE: C	



RoHS GP HF

REV.	ECR/N NO.	DESCRIPTION	DRAWN	DATE
A	—	NEW	LongQiang	20/07/09
B	—	—	LongQiang	20/10/19
C	—	—	XiaoPeng	21/08/24



NOTES:

1.MATERIAL SPECIFICATION

- 1-1.HOUSING:HIGH TEMPERATURE THERMOPLASTIC,UL94-V0 V2 OR HB;
- 1-2.LATCH:HIGH TEMPERATURE THERMOPLASTIC,UL94-V0 V2 OR HB;
- 1-3.CONTACT:COPPER ALLOY;
- 1-4.HOOK:STEEL ALLOY OR STIANLESS STEEL OR COPPER ALLOY;
- 1-5.SHELL:STIANLESS STEEL;

2.PLATING SPECIFICATION

- 2-1.CONTACT:
50U" MIN NICKEL UNDERPLATED;
GOLD/NICKEL PLATING ON THE CONTACT AREA;
100U" MIN MATTE TIN PLATING ON THE SOLDER AREA;
- 2-2.HOOK:
ONLY NICKEL PLATING;
OR NO PLATING;
OR 50U" MIN NICKEL UNDERPLATED,100U" MIN MATTE TIN ;

3.MECHANICAL PERFORMANCE

- 3-1.INSERTION FORCE-MODULE TO CONNECTOR:106.8N MAX;
- 3-2.INSERTION FORCE-CONNECTOR TO BOARD:75N MAX;
- 3-3.RETENTION FORCE:300gf/PIN MIN;
- 3-4.DURABILITY:25 CYCLES;
- 3-5.UNMATING FORCE(PER PIN PAIR):14gf MIN;

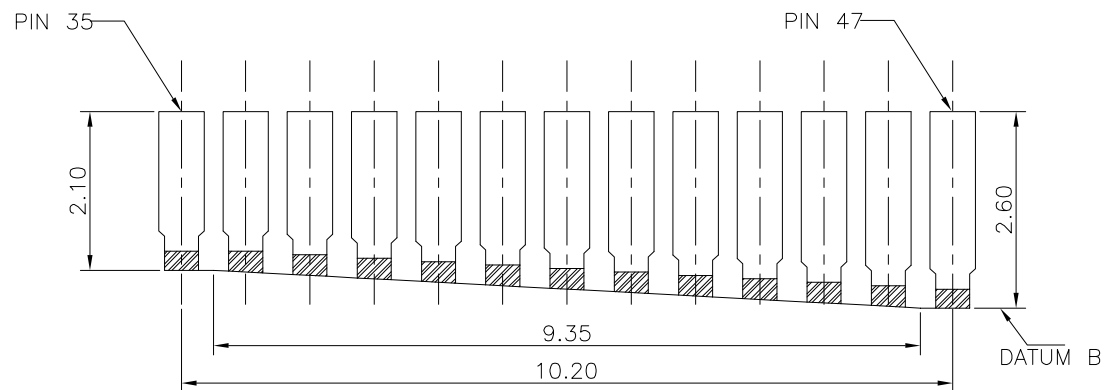
4.ELECTRICAL PERFORMANCE

- 4-1.CURRENT RATING:0.75A PER PIN MAX;
- 4-2.VOLTAGE RATING:1.2V±0.1V;
- 4-3.LLCR:10mΩ MAX (INITIAL);
- 4-4.INSULATION RESISTANCE:500V DC,1MΩ MIN;
- 4-5.DIELECTRIC WITHSTAND VOLTAGE:500V AC,NO BREAK DOWN;

5.HSF COMPLIANT;

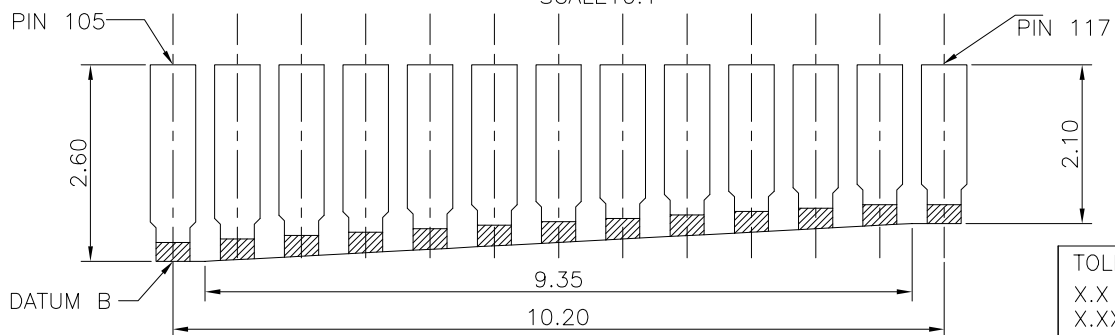
6.WAVE SOLDERING PROCESS

- 6-1.WAVE SOLDERING TEMPERATURE SHALL BE:260°C IMMERSION DURATION 5SECONDS.
- 6-2.THE LATCH SHALL BE CLOSED WHEN USED TO SOLDER;



DETAIL G

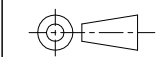
SCALE 10:1



DETAIL H

SCALE 10:1

TOLERANCE	MODEL NAME:DDR4 288P DOUBLE LATCH WITH SHELL TYPE	DRAWN:	XiaoPeng.Zhang
X.X ±0.35	MODEL NO: SEE TABLE	CHECKED:	YouHua.Cai
X.XX ±0.25	UNIT:	APPROVED:	YouHua.Cai
X.XXX ±0.10	mm	DATE:	2021/08/24
ANGLE ±1.0°	SCALE:	DWG NO:C-WLDD-288P06	
	1:1	REVISION:	C
	REVISION:	SHEET:	4/5
	FILE:	C	



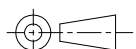
WLCO 深圳市兴万联电子有限公司
SHENZHEN XING WAN LIAN ELECTRONICS CO.,LTD.

RoHS GP HF

REV.	ECR/N NO.	DESCRIPTION	DRAWN	DATE
A	—	NEW	LongQiang	20/07/09
B	—	—	LongQiang	20/10/19
C	—	—	XiaoPeng	21/08/24

TABLE

NO.	PART NO.	SPECIFICATION	HSF COMPLIANT	DIM"A"	DIM"B"
1	WLDD-105B	HOUSING_PA66 GRAY 431U UL94-HB,LATCH_PA66 GRAY,CONTACT_C2680 G/F Ni50u, HOOK_STEEL ALLOY NICKEL PLATING,SHELL.	RoHS COMPLIANT	2.70mm	1.8-2.2mm

TOLERANCE X.X ±0.35 X.XX ±0.25 X.XXX ±0.10 ANGLE ±1.0°	MODEL NAME:DDR4 288P DOUBLE LATCH WITH SHELL TYPE				DRAWN: XiaoPeng.Zhang
	MODEL NO: SEE TABLE				CHECKED: YouHua.Cai
	UNIT:	SCALE:	REVISION:	SHEET	APPROVED: YouHua.Cai
	mm	1:1	C	5/5	DATE: 2021/08/24
 WLCO 深圳市兴万联电子有限公司 SHENZHEN XING WAN LIAN ELECTRONICS CO.,LTD.				DWG NO:C-WLDD-288P06	
				FILE: C	