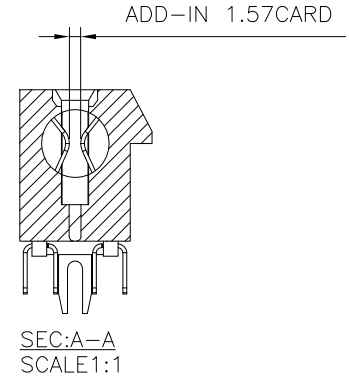
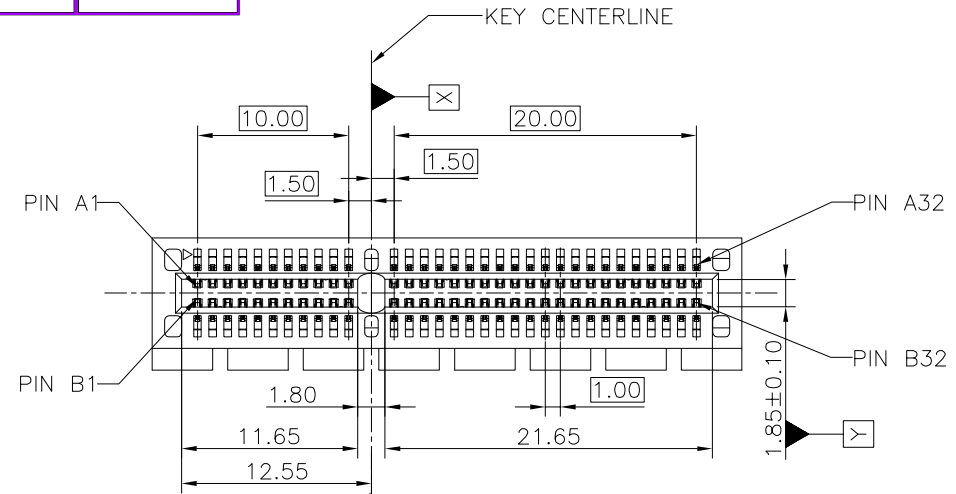
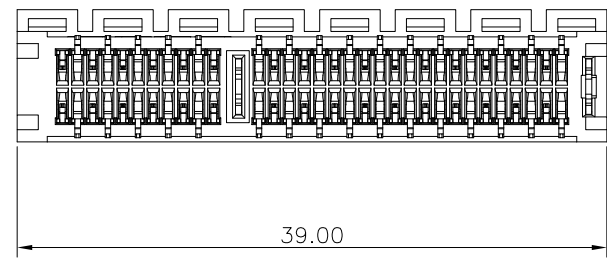
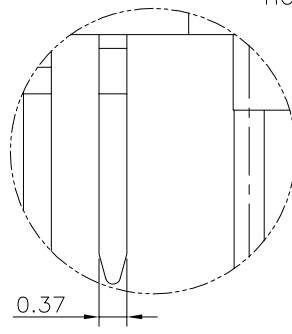
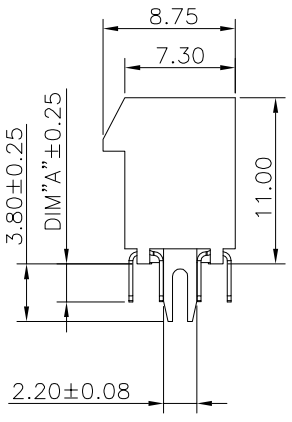
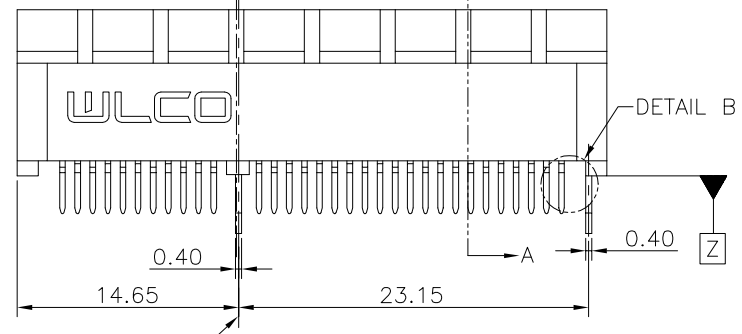
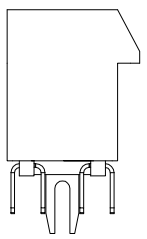


RoHS GP HF


REV.	ECR/N NO.	DESCRIPTION	DRAWN	DATE
B	—	—	LongQiang	20/06/21
C	—	—	XiaoPeng	21/05/10
D	—	—	XiaoPeng	21/05/26



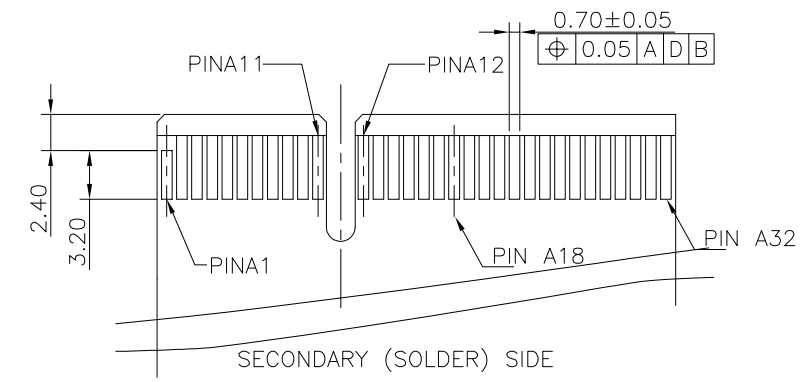
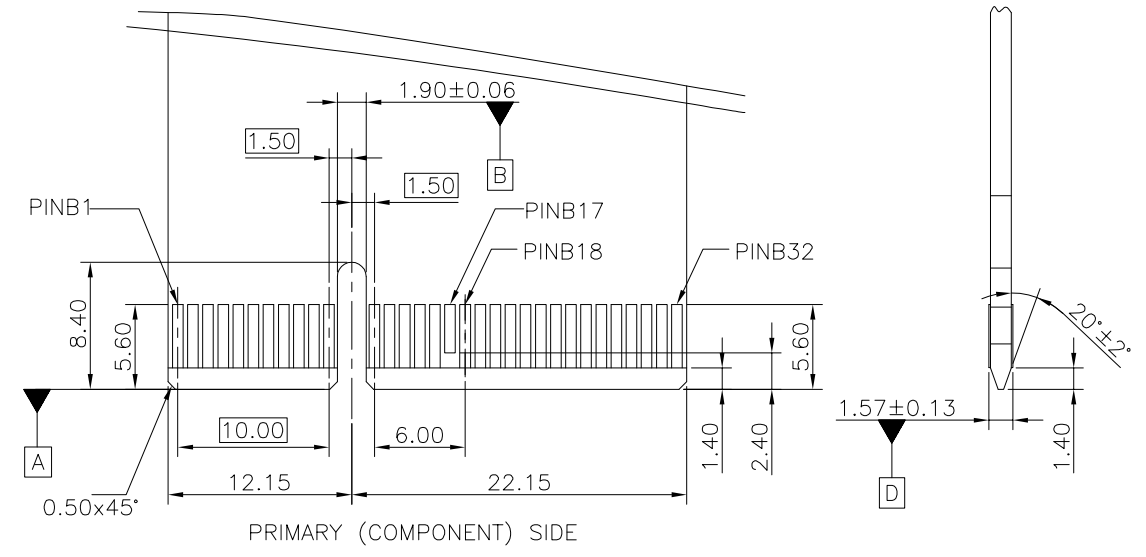
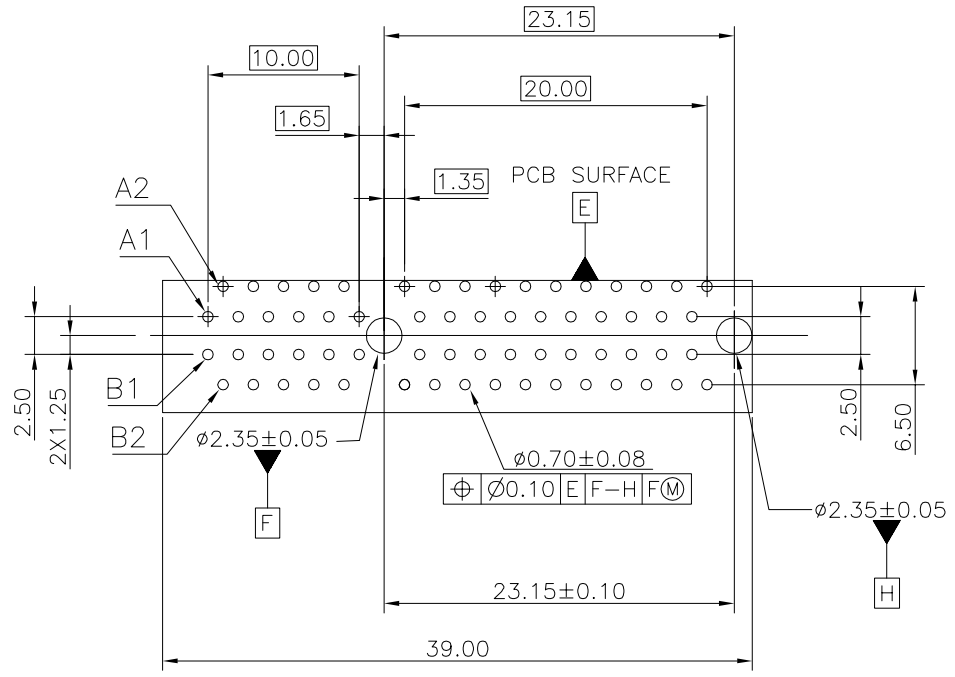
- NOTES:
- MATERIAL SPECIFICATION:
 - 1-1.HOUSING:HIGH TEMP THERMOPLASTIC UL94-V0 V2 OR HB;
 - 1-2.CONTACT:COPPER ALLOY;
 - 1-3.HOOK:STEEL ALLOY OR COPPER ALLOY;
 - PLATING SPECIFICATION:
 - 2-1.CONTACT:
50U NICKEL UNDERPLATED;
GOLD/NICKEL PLATING ON CONTACT AREA;
100U MATTE TIN PLATING ON SOLDER AREA;
 - 2-2.HOOK:
ONLY NICKEL PLATING;
OR NO PLATING;
OR 50U MIN NICKEL UNDERPLATED,100UMIN MATTE TIN;
 - MECHANICAL PERFORMANCE:
 - 3-1.INSERTION FORCE:1.15N MAX PER PIN PAIR;
 - 3-2.REMOVAL FORCE:0.15N MIN PER PIN PAIR;
 - 3-3.DURABILITY:50 CYCLES MIN;
 - ELECTRICAL PERFORMANCE:
 - 4-1.CURRENT RATING:1.1A PER PIN MIN;
 - 4-2.LLCR:30mΩ MAX(INITIAL);
 - 4-3.INSULATION RESISTANCE:1000MΩ MIN;
 - 4-4.DIELECTRIC WITHSTAND VOLTAGE:0.5mA MAX;
 - HSF COMPLIANT.
 - WAVE SOLDERING PROCESS
 - 6-1.RECOMMENDED CONDITION FOR WAVE SOLDERING:260±5°C AND IMMERSION DURATION 10±2 SECONDS.



DETAIL B SCALE5:1

TOLERANCE	MODEL NAME:PCIE64P DOUBLE HOOK TYPE				DRAWN: XiaoPeng.Zhang
X.X ±0.35	MODEL NO: SEE TABLE				CHECKED: XiaoPeng.Zhang
X.XX ±0.25	UNIT:	SCALE:	REVISION:	SHEET	APPROVED: YouHua.Cai
X.XXX ±0.10	mm	2:1	D	1/3	DATE: 2021/05/26
ANGLE ±1.0°	 深圳市兴万联电子有限公司 SHENZHEN XING WAN LIAN ELECTRONICS CO., LTD.				DWG NO: CUS-WLPC-64P03
	FILE: C				

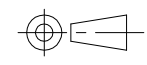
REV.	ECR/N NO.	DESCRIPTION	DRAWN	DATE
B	—	—	LongQiang	20/06/21
C	—	—	XiaoPeng	21/05/10
D	—	—	XiaoPeng	21/05/26



RECOMMENDED CARD EDGE FINGER

DEFAULT TOLERANCE ±0.05

TOLERANCE	MODEL NAME:PCIE64P DOUBLE HOOK TYPE	DRAWN:	XiaoPeng.Zhang
X.X ±0.35	MODEL NO: SEE TABLE	CHECKED:	XiaoPeng.Zhang
X.XX ±0.25	UNIT:	APPROVED:	YouHua.Cai
X.XXX ±0.10	mm	DATE:	2021/05/26
ANGLE ±1.0°	SCALE: 2:1	DWG NO: CUS-WLPC-64P03	
	REVISION: D	FILE:	C
	SHEET 2/3		



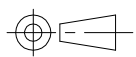
WLCOP 深圳市兴万联电子有限公司
 SHENZHEN XING WAN LIAN ELECTRONICS CO., LTD.

RoHS GP HF

REV.	ECR/N NO.	DESCRIPTION	DRAWN	DATE
B	—	—	LongQiang	20/06/21
C	—	—	XiaoPeng	21/05/10
D	—	—	XiaoPeng	21/05/26

TABLE

NO.	PART NO.	SPECIFICATION	HSF COMPLIANT	DIM"A"
1	WLPC-024A	HOUSING_PA66 BLACK UL94-HB,CONTACT_C2680 G/F Ni50u,HOOK_STEEL ALLOY NICKEL PLATING.	RoHS COMPLIANT	2.50mm

TOLERANCE X.X ±0.35 X.XX ±0.25 X.XXX ±0.10 ANGLE ±1.0°	MODEL NAME:PCIE64P DOUBLE HOOK TYPE				DRAWN: XiaoPeng.Zhang	
	MODEL NO: SEE TABLE				CHECKED: XiaoPeng.Zhang	
	UNIT:	SCALE:	REVISION:	SHEET	APPROVED: YouHua.Cai	
	mm	2:1	D	3/3	DATE: 2021/05/26	
 WLCO 深圳市兴万联电子有限公司 SHENZHEN XING WAN LIAN ELECTRONICS CO.,LTD.				DWG NO: CUS-WLPC-64P03		
				FILE: C		