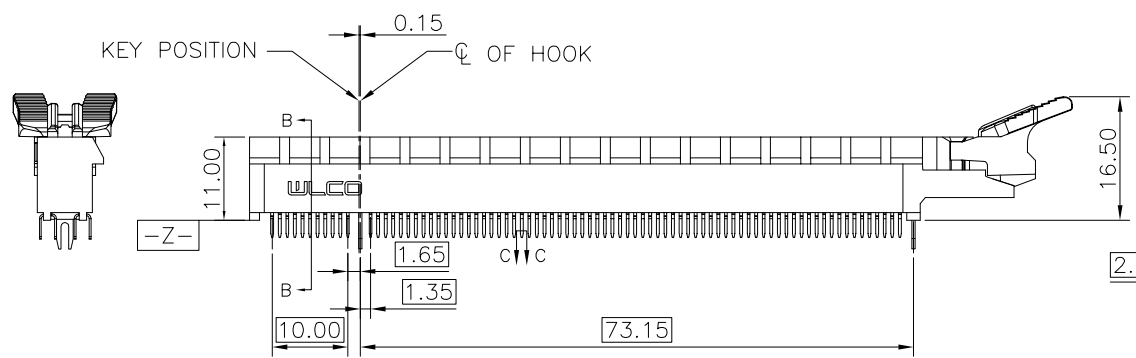
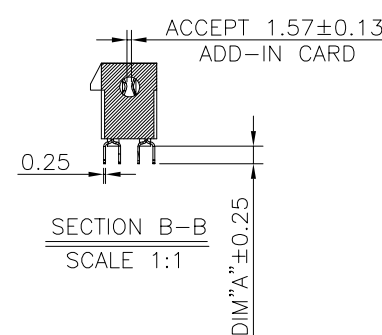
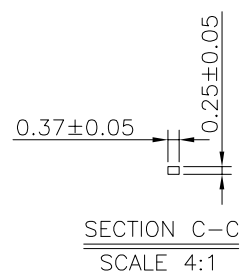
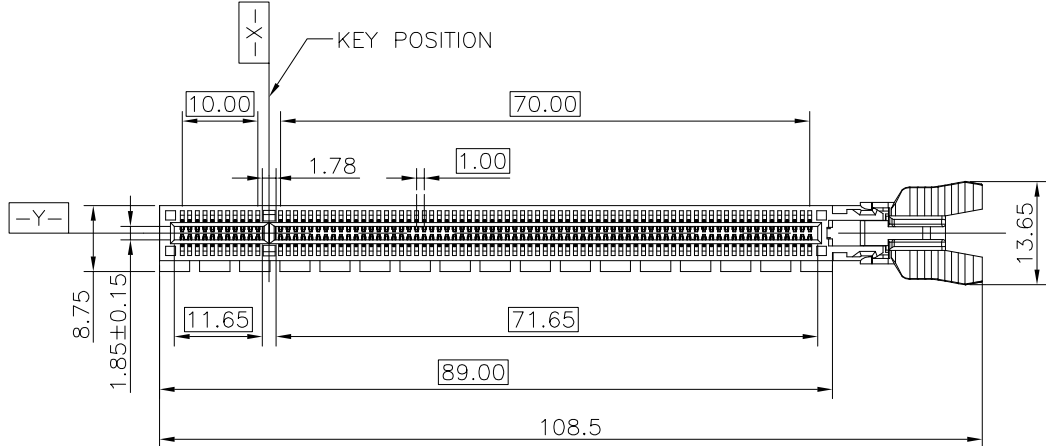
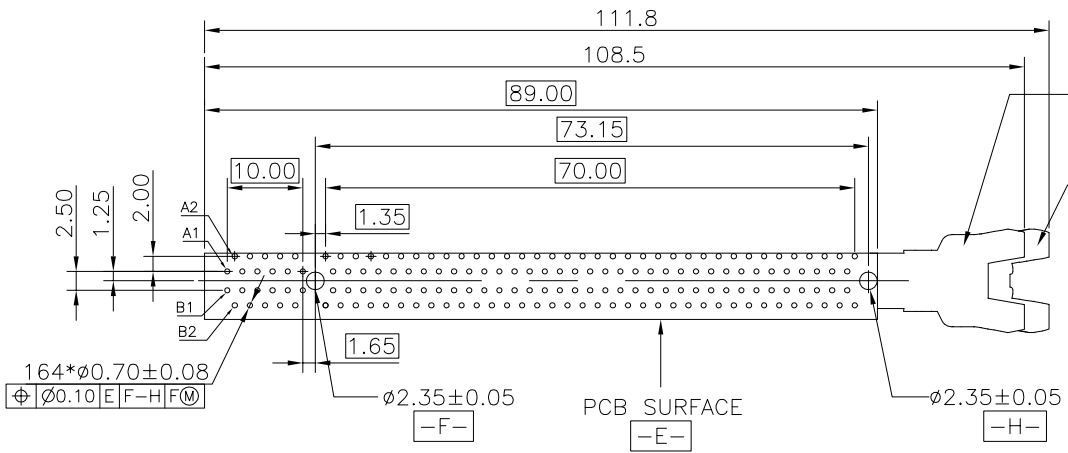


REV.	ECR/N NO.	DESCRIPTION	DRAWN	DATE
E	—	—	LongQiang	20/04/18
F	—	—	LongQiang	20/08/13
G	—	—	LongQiang	21/03/31



- NOTES:
- MATERIAL SPECIFICATION
    - 1-1.HOUSING:HIGH TEMPERATURE THERMOPLASTIC,UL94-V0 V2 OR HB;
    - 1-2.LATCH:HIGH TEMPERATURE THERMOPLASTIC,UL94-V0 V2 OR HB;
    - 1-3.CONTACT:COPPER ALLOY;
    - 1-4.HOOK:STEEL ALLOY OR STAINLESS ALLOY OR COPPER ALLOY;
  - PLATING SPECIFICATION
    - 2-1.CONTACT:
      - 50U" MIN NICKEL UNDERPLATED;
      - GOLD/NICKEL PLATING ON THE CONTACT AREA;
      - 100U" MIN MATTE TIN PLATING ON THE SOLDER AREA;
    - 2-2.HOOK:
      - ONLY NICKEL PLATING;
      - OR NO PLATING;
      - OR 50U MIN NICKEL UNDERPLATED,100U MIN MATTE TIN;
  - MECHANICAL PERFORMANCE
    - 3-1.INSERTION FORCE-MODULE TO CONNECTOR:1.15N MAX PER PAIR;
    - 3-2.DURABILITY:50 CYCLES;
    - 3-3.UNMATING FORCE(PER PIN PAIR):0.15N MIN;
  - ELECTRICAL PERFORMANCE
    - 4-1.CURRENT RATING:1.1A PER PIN MAX;
    - 4-2.LLCR:30mΩ MAX (INITIAL);
    - 4-3.INSULATION RESISTANCE:500V DC,1000MΩ MIN;
    - 4-4.DIELECTRIC WITHSTAND VOLTAGE:500V AC,0.5mA MAX;
  - HSF COMPLIANT
  - WAVE SOLDERING PROCESS
    - 6-1.RECOMMENDED CONDITION FOR WAVE SOLDERING:260±5°C AND IMMERSION DURATION 10±2 SECONDS.
    - 6-2.THE LATCH SHALL BE CLOSED WHEN USED TO SOLDER;

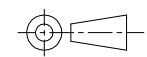


RECOMMENDED PCB LAYOUT  
 DEFAULT TOLERANCE ±0.05

TOLERANCE
X.X ±0.35
X.XX ±0.25
X.XXX ±0.10
ANGLE ±1.0°

MODEL NAME:PCIE 164P AIRCRAFT BUCKLE TYPE				DRAWN: LongQiang.Peng
MODEL NO: SEE TABLE				CHECKED: YouHua.Cai
UNIT: mm	SCALE: 1:1	REVISION: G	SHEET 1/3	APPROVED: YouHua.Cai
				DATE: 2021/03/31

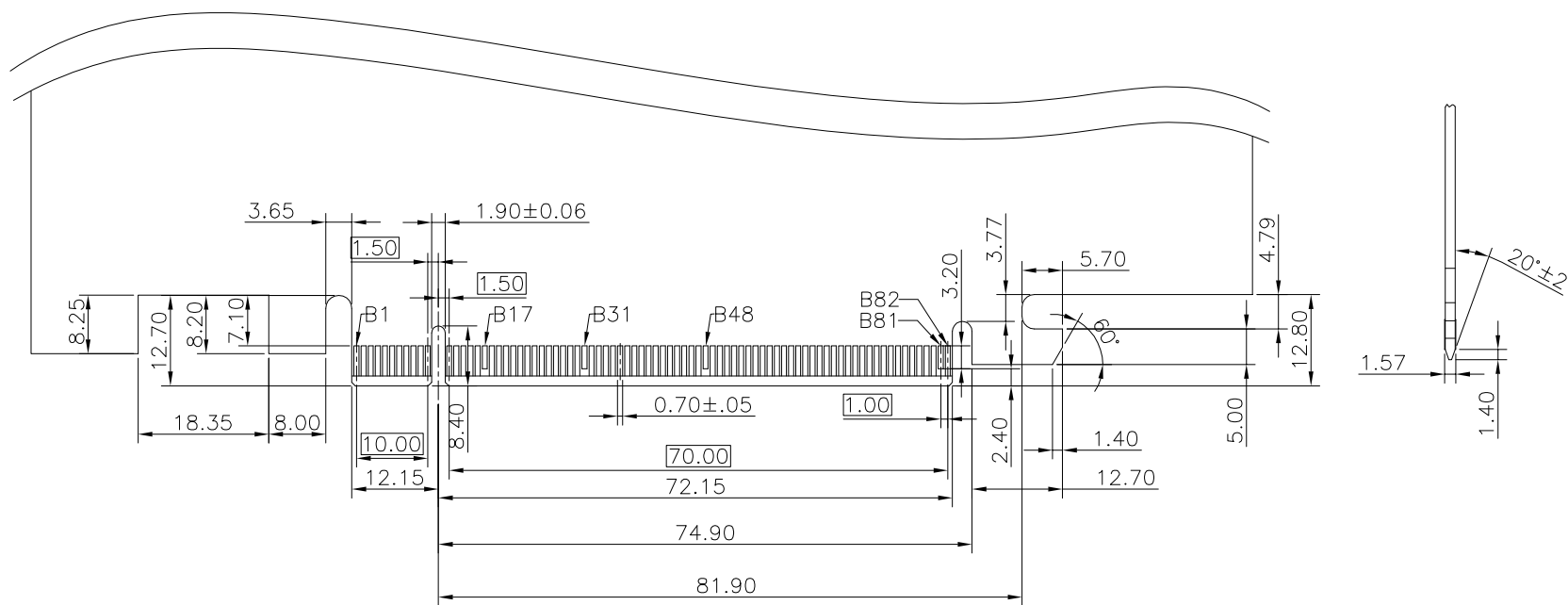
DWG NO: CUS-WLPC-164P01	
FILE: C	



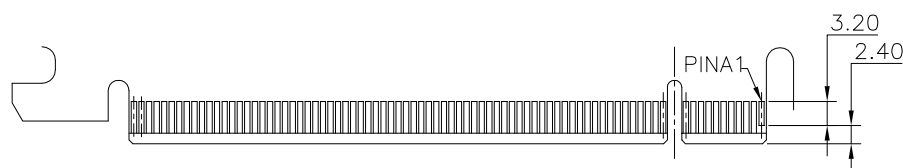
**WILCO** 深圳市兴万联电子有限公司  
 SHENZHEN XING WAN LIAN ELECTRONICS CO., LTD.

RoHS GP HF

REV.	ECR/N NO.	DESCRIPTION	DRAWN	DATE
E	—	—	LongQiang	20/04/18
F	—	—	LongQiang	20/08/13
G	—	—	LongQiang	21/03/31



PRIMARY (COMPONENT) SIDE



SECONDARY (SOLDER) SIDE

RECOMMENDED CARD EDGE FINGER

DEFAULT TOLERANCE  $\pm 0.05$

NOTES:

1. NO TIE PERMITTED FROM CARD EDGE TO LEADING EDGE OF PAD FOR PINS A1 AND 'C'.
2. CHAMFER EDGES MUST BE FREE OF CUTTING BURRS.

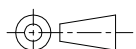
TOLERANCE	MODEL NAME:PCIE 164P AIRCRAFT BUCKLE TYPE				DRAWN:	LongQiang.Peng
X.X $\pm 0.35$	MODEL NO: SEE TABLE				CHECKED:	YouHua.Cai
X.XX $\pm 0.25$	UNIT:	SCALE:	REVISION:	SHEET	APPROVED:	YouHua.Cai
X.XXX $\pm 0.10$	mm	1:1	G	2/3	DATE:	2021/03/31
ANGLE $\pm 1.0^\circ$	DWG NO:CUS-WLPC-164P01				FILE:	C
		<b>WLCO</b> 深圳市兴万联电子有限公司 SHENZHEN XING WAN LIAN ELECTRONICS CO.,LTD.				

RoHS GP HF

REV.	ECR/N NO.	DESCRIPTION	DRAWN	DATE
E	—	—	LongQiang	20/04/18
F	—	—	LongQiang	20/08/13
G	—	—	LongQiang	21/03/31

TABLE

NO.	PART NO.	SPECIFICATION	HSF COMPLIANT	DIM"A"
1	WLPC-101A	HOUSING_PA66 BLACK UL94-HB,LATCH_PA66 BLACK,CONTACT_C2680 G/F Ni50u,HOOK_STEEL ALLOY NICKEL PLATING.	RoHS COMPLIANT	2.50mm

<p>TOLERANCE</p> <p>X.X ±0.35</p> <p>X.XX ±0.25</p> <p>X.XXX ±0.10</p> <p>ANGLE ±1.0°</p>	MODEL NAME:PCIE 164P AIRCRAFT BUCKLE TYPE				DRAWN: LongQiang.Peng	
	MODEL NO: SEE TABLE				CHECKED: YouHua.Cai	
	UNIT:	SCALE:	REVISION:	SHEET	APPROVED: YouHua.Cai	
	mm	1:1	G	3/3	DATE: 2021/03/31	
				<p><b>WLCO</b> 深圳市兴万联电子有限公司</p> <p>SHENZHEN XING WAN LIAN ELECTRONICS CO.,LTD.</p>		DWG NO:CUS-WLPC-164P01
				FILE: C		