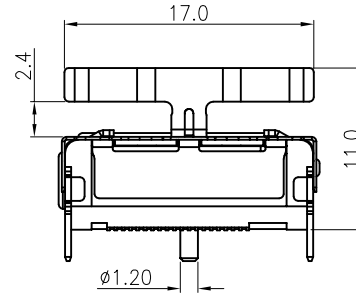
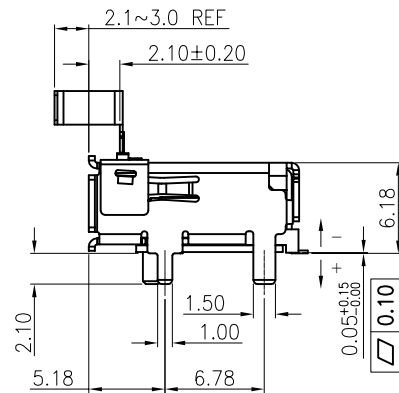
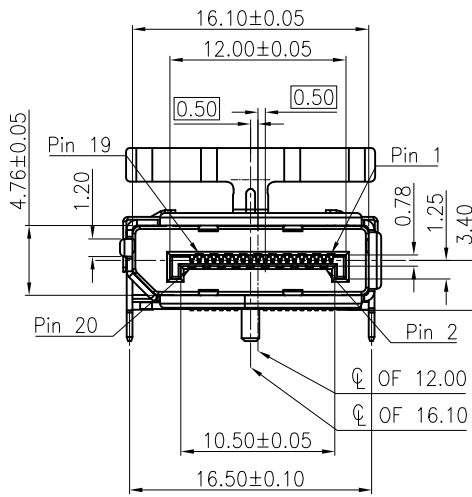
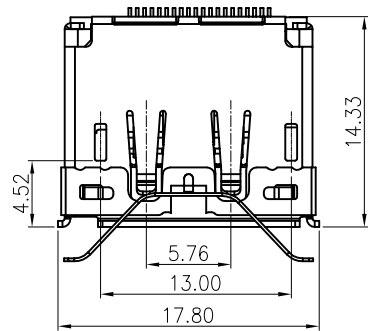


RoHS GF HF

REV.	ECR/N NO.	DESCRIPTION	DRAWN	DATE
A	/	NEW	DENGJU	2020/07/17



NOTE:

1. Material:

Housing: Lcp,UL94V-0; Color: Black  
 Cover: Lcp,UL94V-0; Color: Black  
 Contact: Copper Alloy  
 Shell: Copper Alloy  
 Spring: Stainless Steel

2. FINISH:

Contact: Contact Area Gold Plated  
 Solder Area Sn Plated  
 Under Plated Nickel

Shell: Nickel Plated

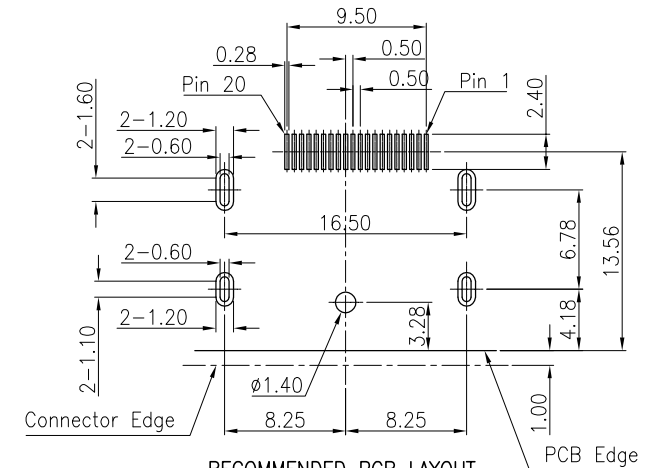
3. Specification:

3.1: Electrical:

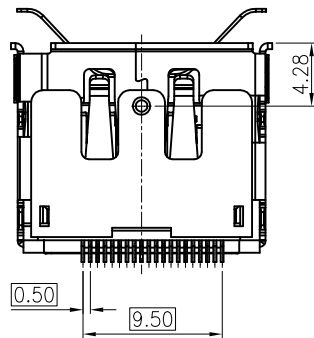
Contact Current Rating: 0.5A  
 Insulation Resistance: 100MΩ Min.  
 Contact Resistance: 30 mΩ Max.  
 Dielectric Withstanding Voltage: 500V/AC 1Minute

3.2 Mechanical:

Mating Force: 4.5Kgf Max.  
 Unmating Force: 1.0Kgf~4.0Kgf  
 Durability: 10000 Cycles.



RECOMMENDED PCB LAYOUT  
 (THICKNESS=1.6±0.15mm)



TOLERANCE	MODEL NAME: DP SMT TYPE 直脚 单柱 带弹 端子半金雾锡G.F	DRAWN: DENGJU
X.X ±0.35	MODEL NO: WLDP-048A	CHECKED: YAOSHIXUAN
X.XX ±0.25	UNIT: mm	APPROVED: WUHUAMING
X.XXX ±0.10	SCALE: 1:1	DATE: 2020/07/17
ANGLE ±2.0°	REVISION: A	DWG NO:
	SHEET: 1/1	FILE: C



**WLCO** 深圳市兴万联电子有限公司  
 SHENZHEN XING WAN LIAN ELECTRONICS CO.,LTD.