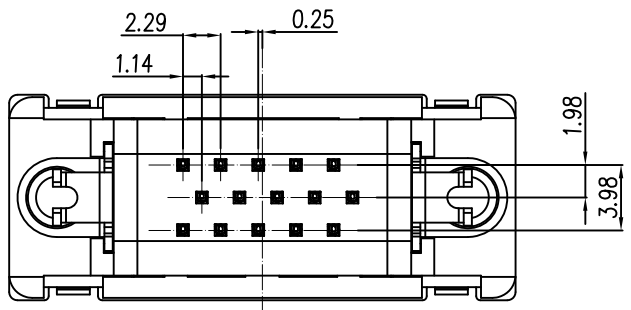
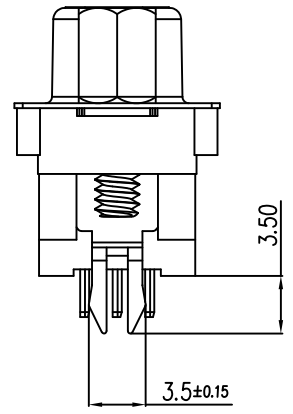
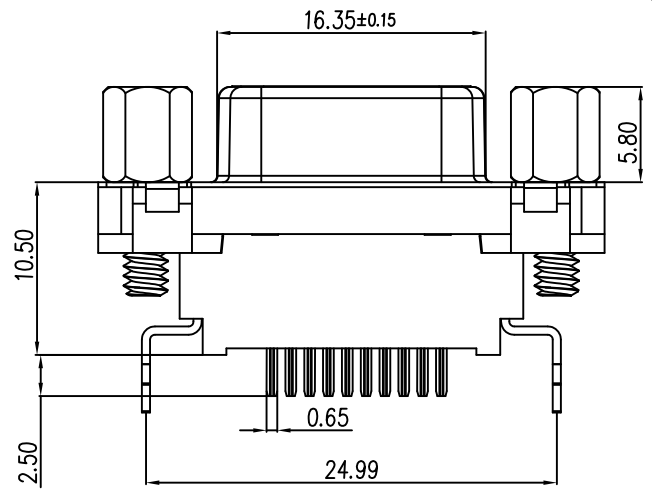
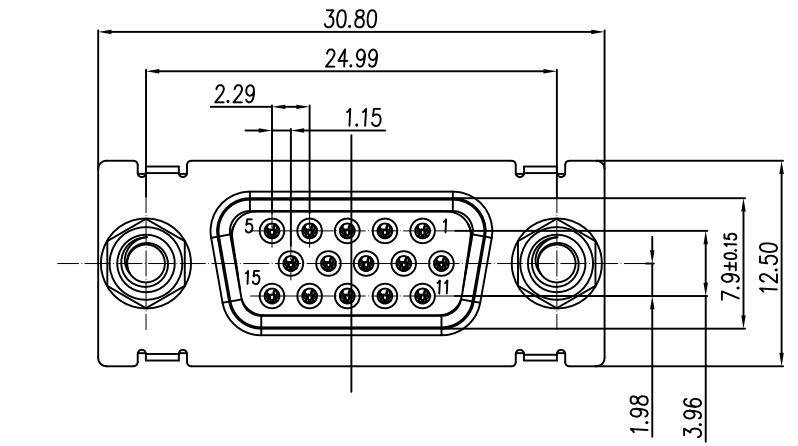


RoHS GP HF

REV.	ECR/N NO.	DESCRIPTION	DRAWN	DATE
A	/	NEW	DENGJU	2020/04/06



NOTES:

1.MATERIAL:

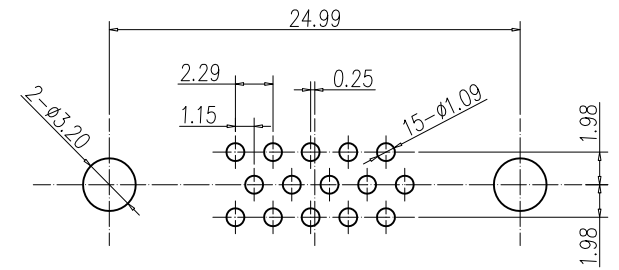
- 1.1 HOUSING:PBT UL94V-0 COLOUR:BLUE
- 1.2 COVER:PBT
- 1.3 CONTACT:COPPER ALLOY
- 1.4 SCREW:1215MS
- 1.5 SHELL:SPCC
- 1.6 BOARDLOCK:SPCC

2.PLATING:

- 2.1 CONTACT: NI/SN
- 2.2 SCREW: CU/NI
- 2.3 SHELL: CU/NI
- 2.4 BOARDLOCK:CU/NI/SN

3.SPECIFICATION:

- 3.1 CONTACT CURRENT RATING: 1 AMPS
- 3.2 CONTACT RESISTANCE: 30m OHM Max
- 3.2 INSULATION RESISTANCE:1000M OHM Min. AT 500V DC
- 3.3 DIELECTRIC WITHSTANDING VOLT:AC 500V(R.M.S)/1 MINUTE
- 3.4 OPERATION TEMPERATURE:-55°C - +105°C
- 3.5 INSERTION FORCE: 5.0Kgf Max
- 3.6 WITHDRAWAL FORCE: 1.5Kgf Min
- 3.7 DURABILITY: 1000 CYCLES



PCB LAYOUT TOP VIEW

TOLERANCE	MODEL NAME: HDC 15母180度 10.5H PBT蓝胶防火环保 新接地结构 铆锁5.8	DRAWN: DENGJU
X.X ±0.35	MODEL NO: WLHK-079A	CHECKED: YAOSHIXUAN
X.XX ±0.25	UNIT: SCALE: REVISION: SHEET	APPROVED: WUHUAMING
X.XXX ±0.10	mm 1:1 A 1/1	DATE: 2020/01/07
ANGLE ±2.0°		
	WILCO 深圳市兴万联电子有限公司 SHENZHEN XING WAN LIAN ELECTRONICS CO., LTD.	DWG NO:
		FILE: C