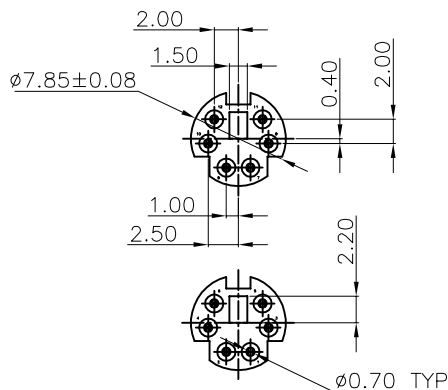
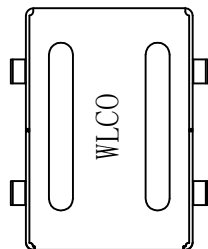


RoHS GP HF

REV.	ECR/N NO.	DESCRIPTION	DRAWN	DATE
A	/	NEW		
B	/	增加脚宽尺寸	DENGJU	2021/01/07



ARRANGEMENT OF CONTACT

NOTES :

1. MATERIAL :

1.1 HOUSING :PBT+30%G.F, UL 94V-0,(环保)

1.2 CONTACTS : C2680,T=0.20(环保)

1.3 SHELL : SUS,T=0.20(环保)

2. FINISH:

2.1 CONTACT:

GOLD FLASH PLATING ON CONTACT AREA

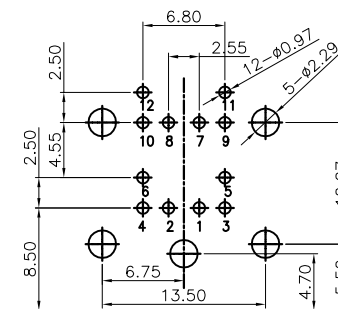
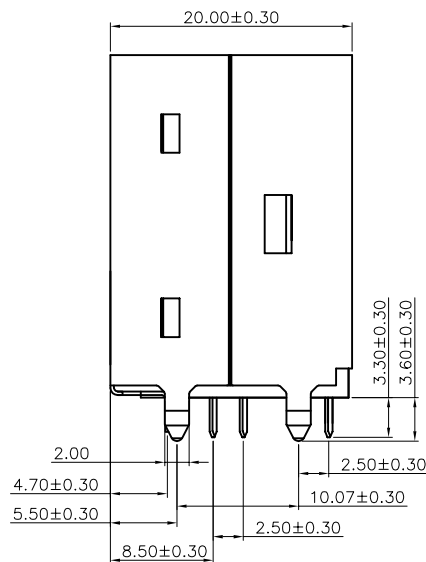
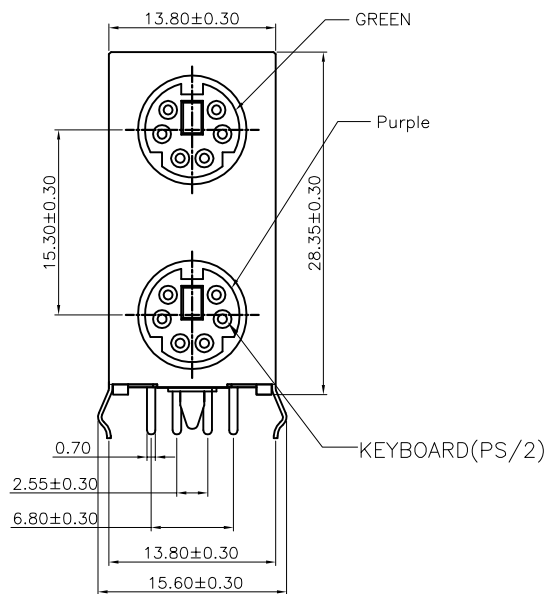
100u"MIN MATTE TIN PLATING ON SOLDER TAIL AREA,

50u" MIN. NICKEL UNDERPLATING OVERALL,

2.2 SHELL:

100u"MIN TIN PLATING ON SOLDER TAILS.

50u" MIN. NICKEL UNDERPLATING OVERALL.



P.C.B.LAYLUT(BOTTOM VIEW)

RECOMMEND THK=1.0~1.6mm.

TOLERANCE	MODEL NAME: PS/2 无弹 PBT塑胶上盖下盖 外壳SUS弹簧脚 加WLCO LOGO 盖罩48H	DRAWN: DENGJU
X.X ±0.35	MODEL NO: WLMD-032B	CHECKED: YAOSHIXUAN
X.XX ±0.25	UNIT: SCALE: REVISION: SHEET	APPROVED: WUHUAMING
X.XXX ±0.10	mm 1:1 B 1/1	DATE: 2021/01/07
ANGLE ±2.0°		
	<b>WLCO</b> 深圳市兴万联电子有限公司 SHENZHEN XING WAN LIAN ELECTRONICS CO.,LTD.	DWG NO:
		FILE: C