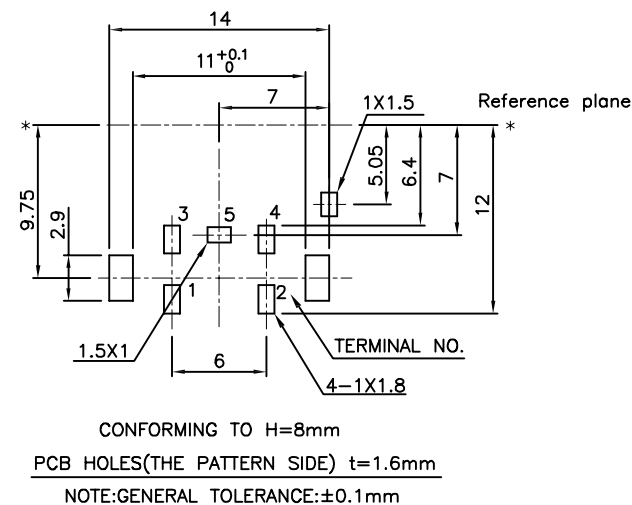
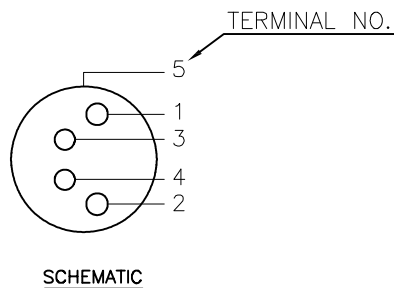
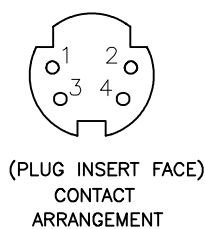
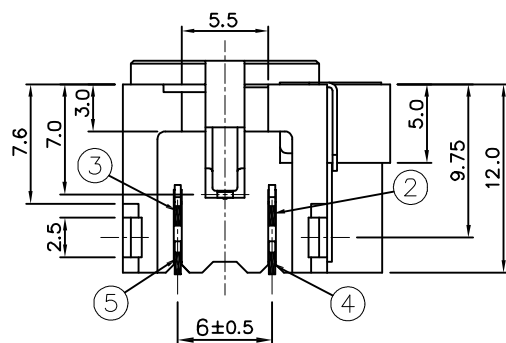
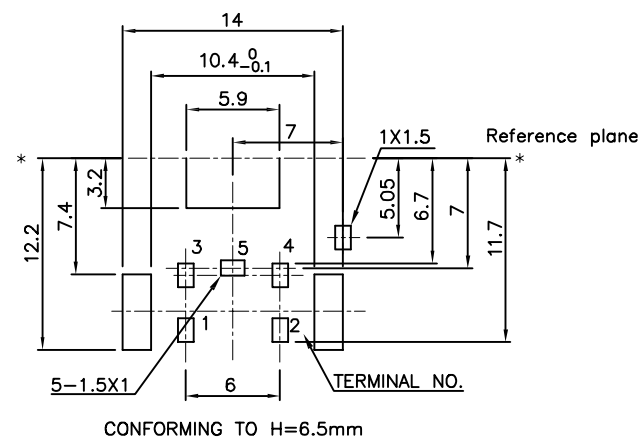
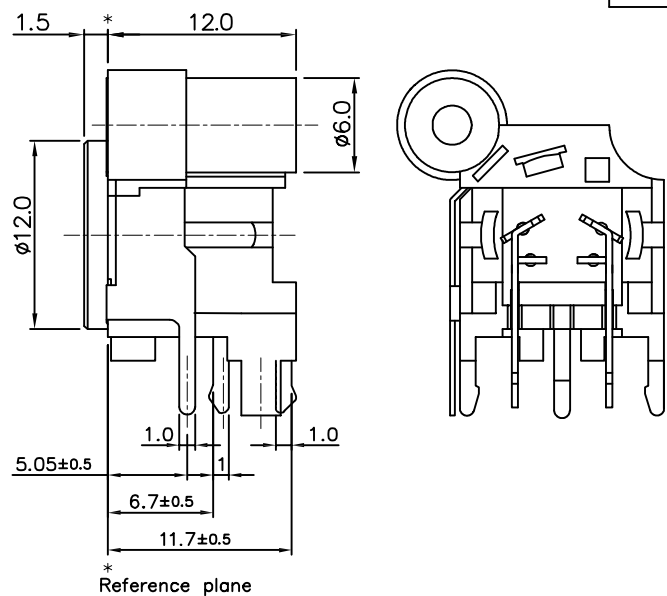
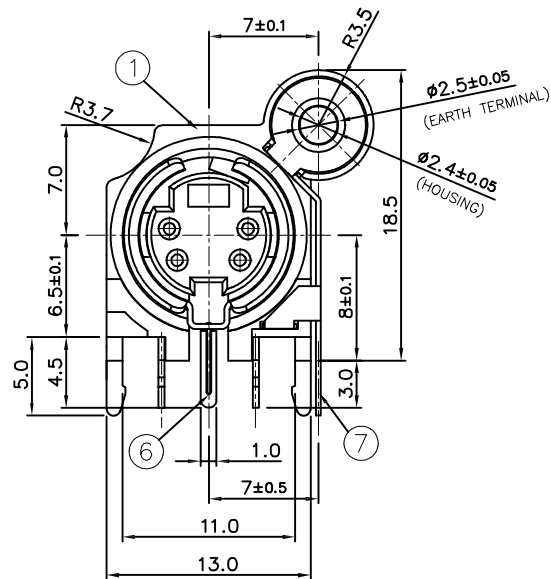


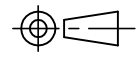
RoHS GP HF

REV.	ECR/N NO.	DESCRIPTION	DRAWN	DATE
A	/	NEW	HAIXIANG	2019/01/11
B	/	更换图框	DENGJU	2021/06/18



NO	PART NAME	TFR'NO.	QTY.	MATERIAL	REMARK
⑦	EARTH TERMINAL		1	BRASS t=0.3	Sn-PLATED
⑥	OUTER CONTACT	5	1	BRASS t=0.35	Sn-PLATED
⑤	CONTACT TERMINAL	4	1	PHOSPHOR BRONZE t=0.4	Sn-PLATED
④	CONTACT TERMINAL	3	1	PHOSPHOR BRONZE t=0.4	Sn-PLATED
③	CONTACT TERMINAL	2	1	PHOSPHOR BRONZE t=0.4	Sn-PLATED
②	CONTACT TERMINAL	1	1	PHOSPHOR BRONZE t=0.4	Sn-PLATED
①	HOUSING		1	PBT 94V-0	BLACK

TOLERANCE  
X.X ±0.35  
X.XX ±0.25  
X.XXX ±0.10  
ANGLE ±2.0°



MODEL NAME: S端子4P DIP SOCKET PBT黑色 DIN-455  
MODEL NO: **WLMD-061A**  
UNIT: mm SCALE: 1:1 REVISION: B SHEET: 1/1

**WILCO** 深圳市兴万联电子有限公司  
SHENZHEN XING WAN LIAN ELECTRONICS CO.,LTD.

DRAWN: DENGJU  
CHECKED: WUXIAOTAO  
APPROVED: WUHUAMING  
DATE: 2021/06/18  
DWG NO:  
FILE: C