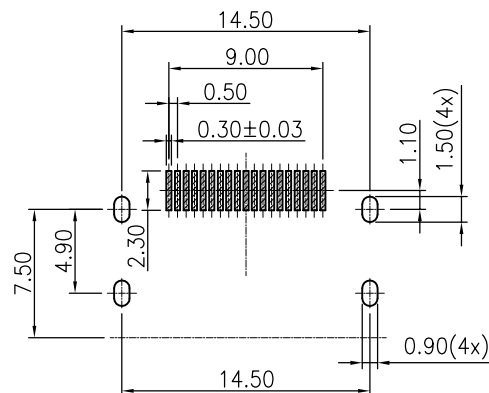
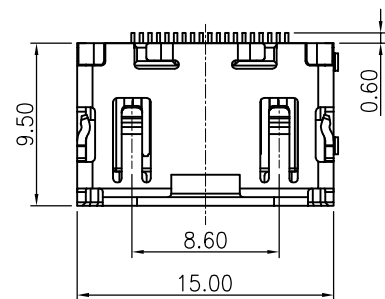
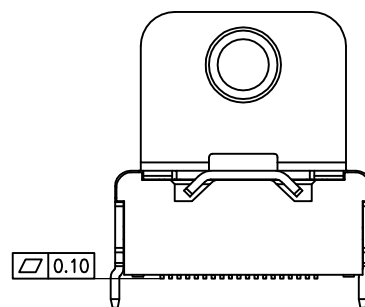
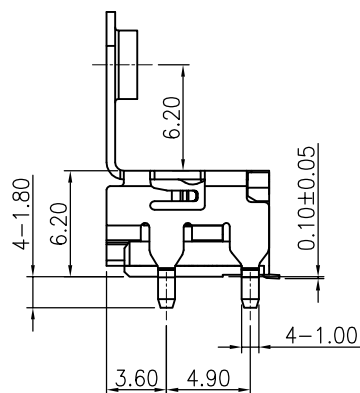
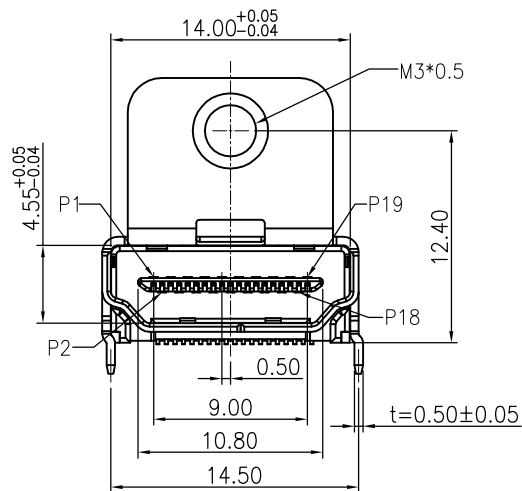


RoHS GP HF

REV.	ECR/N NO.	DESCRIPTION	DRAWN	DATE
A		NEW	DENGJU	2020/05/06

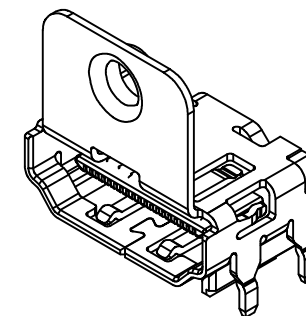
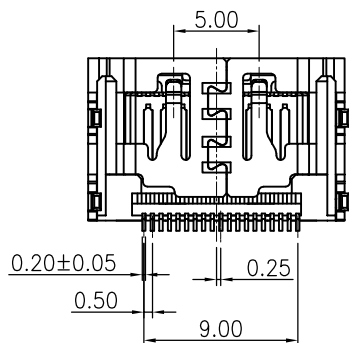


RECOMMENDED P.C.B LAYOUT
(TOP VIEW)

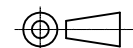


NOTE:

- MATERIAL:
 - HOUSING: LCP; UL94V-0; COLOR: BLACK;
 - CONTACTS: COPPER ALLOY, T=0.20mm;
 - SHELL: SPCC, T=0.50mm
- PLATING SPECIFICATION:
 - CONTACTS:
 - NI 50u" MIN. PLATED ON OVERALL. GOLD FLASH PLATED ON THE FUNCTIONAL AREA OF CONTACT.
 - MATTE Sn 80u" MIN. PLATED ON SOLDER AREA.
 - SHELL:
 - NI 50u" MIN. PLATED ON OVERALL.
- SPECIFICATION:
 - ELECTRICAL:
 - CONTACT CURRENT RATING: 0.5A
 - INSULATION RESISTANCE: 100MΩ MIN.
 - CONTACT RESISTANCE: 30 mΩ MAX.
 - SHELL RESISTANCE: 50 mΩ MAX.
 - DIELECTRIC WITHSTANDING VOLTAGE: AC 500V FOR 1MINUTE
 - MECHANICAL:
 - INSULATION FORCE: 4.5Kgf(44.1N) MAX.
 - REMOVAL FORCE: 1.0~4.0Kgf(9.8~39.2N).
 - DURABILITY: 10000 CYCLES



TOLERANCE	MODEL NAME: HDMI 19P SMT型 短体 四脚无卡点 6.2螺扣 塑胶长支脚臂 外壳SPCC 脚长1.8	DRAWN:	DENGJU
X.X ±0.30	LCP 黑色环保防火 端子C2680 半金属G/P 载带包装	CHECKED:	WUXIAOTAO
X.XX ±0.25	MODEL NO: WLDM-051D	APPROVED:	WUHUAMING
X.XXX ±0.15	UNIT: mm	DATE:	2020/05/06
ANGLE ±2.0°	SCALE: 1:1	DWG NO:	
	REVISION: A	FILE:	C
	SHEET: 1/1		



WLCO 深圳市兴万联电子有限公司
SHENZHEN XING WAN LIAN ELECTRONICS CO., LTD.