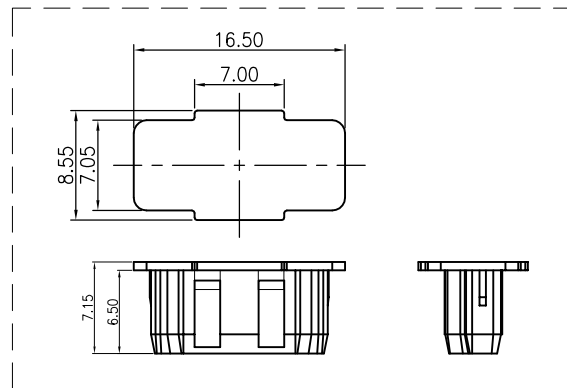
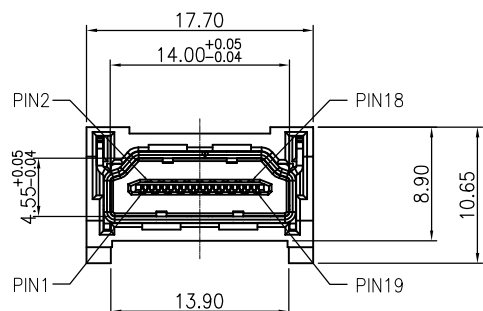


RoHS

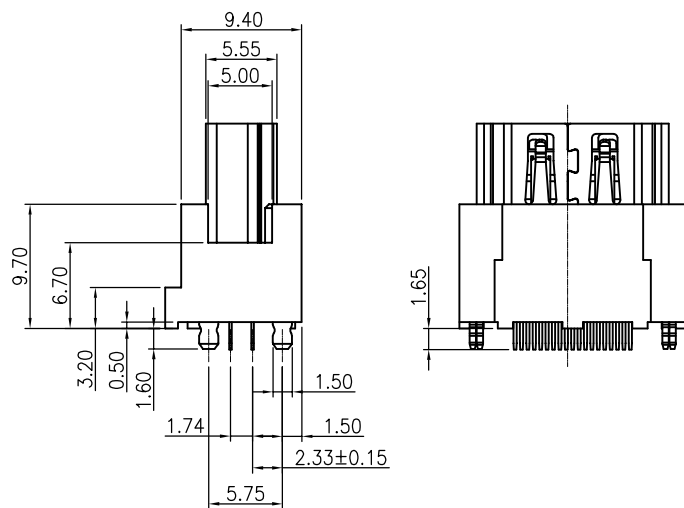
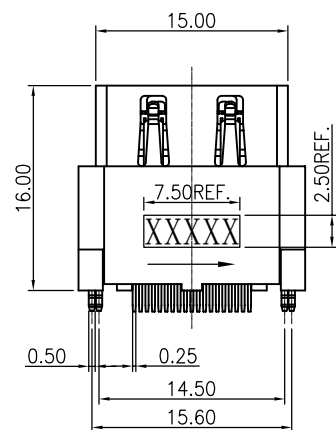


REV.	ECR/N NO.	DESCRIPTION	DRAWN	DATE
A		NEWS	YAOSHIXUAN	2020/03/27
B		更换新图框	ZOUJINSHUI	2021/12/09

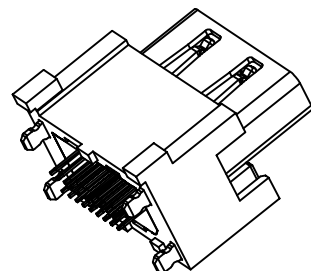
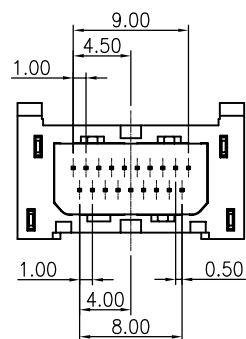
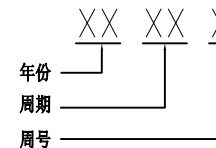


NOTE:

- MATERIAL:
 - 1-1. HOUSING: LCP,UL94V-0; COLOR: BLACK;
 - 1-2. CAP: LCP,UL94V-0; COLOR: BLACK;
 - 1-3. CONTACTS: C2680,T=0.20mm;
 - 1-5. SHELL: STAINLESS STEEL,SUS430,T=0.50mm
- PLATING SPECIFICATION:
 - 2-1. CONTACTS:
 - NI 50u" MIN. PLATED ON OVERALL. Au 15u" MIN. PLATED ON THE FUNCTIONAL ARER OF CONTACT.
 - MATTE Sn 80u" MIN. PLATED ON SOLDER AREA.
 - 2-2. SHELL:
 - NI 30u" MIN. PLATED ON OVERALL.
- SPECIFICATION:
 - 3-1. ELECTRICAL:
 - CONTACT CURRENT RATING: 0.5A
 - INSULATION RESISTANCE: 100MΩ MIN.
 - CONTACT RESISTANCE: 30 mΩ MAX.
 - SHELL RESISTANCE: 50 mΩ MAX.
 - DIELECTRIC WITHSTANDING VOLTAGE: AC 500V FOR 1MINUTE
 - 3-2. MECHANICAL:
 - INSULATION FORCE: 44.1N MAX.
 - REMOVAL FORCE: 9.8~39.2N
 - DURABILITY: 10000 CYCLES
- HF COMPLIANT.



D/C原则:



TOLERANCE	MODEL NAME: HDMI 19P A/F 180度 16.0H 端子双排DIP 半金锡15u" 外壳SUS430 四脚插板 带护套 LCP黑胶 无卤环保 载带包装	DRAWN: ZOUJINSHUI
X.X ±0.35	MODEL NO: WLDM-190A	CHECKED: WUXIAOTAO
X.XX ±0.25	UNIT: SCALE: REVISION: SHEET	APPROVED: WUHUAMING
X.XXX ±0.15	mm 1:1 B 1/2	DATE: 2021/12/09
ANGLE ±2.0°	WALCO 深圳市兴万联电子有限公司 SHENZHEN XING WAN LIAN ELECTRONICS CO.,LTD.	DWG NO:
		FILE: C