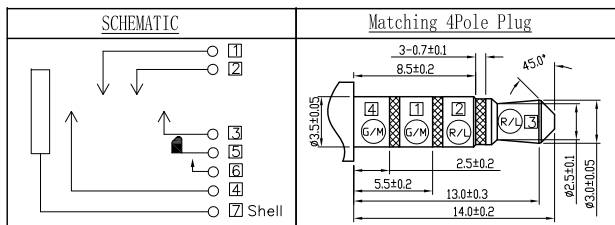
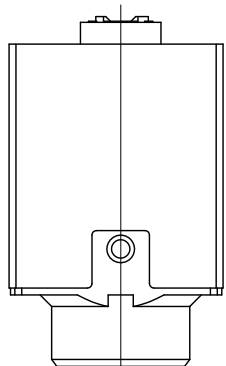


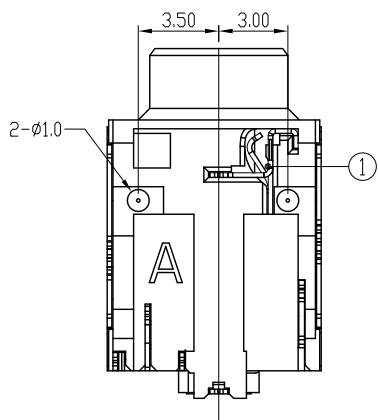
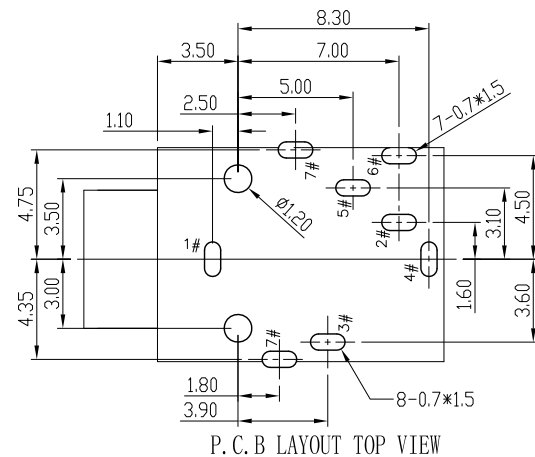
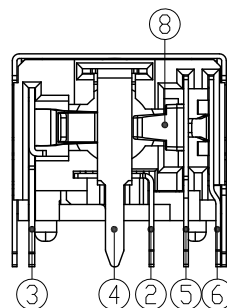
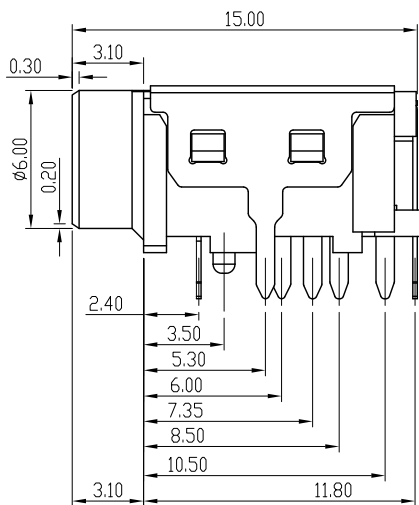
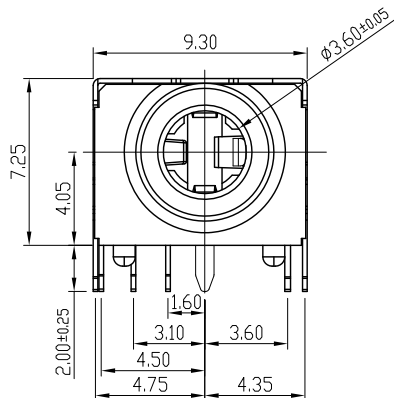
RoHS GP HF

REV.	ECR/N NO.	DESCRIPTION	DRAWN	DATE
A	/	NEW	DENGJU	2020/12/14



SPECIFICATION

- 1.RATING : DC 30V 0.5A;
- 2.CONTACT RESISTANCE: ≤30mΩ;
- 3.INSULATION RESISTANCE: ≥100MΩ (DC250V);
- 4.WITHSTAND VOLTAGE: 500VAC ;
- 5.INSERTION AND EXTRACTION FORCE: 3-30N;
- 6.LIFE TEST: 5,000 CYCLES.



9	HOUSING	1	PA9T	Black
8	INSULATOR	1	PA9T	Black
7	SHELL	1	SUS301 T=0.20mm	Ni-Plating
6	TERMINAL-6	1	COPPER ALLOY T=0.20mm	Gold Flash On Contact Area; Matte Sn On Solder Tail; Ni Plated ALL Over.
5	TERMINAL-5	1	COPPER ALLOY T=0.20mm	Gold Flash On Contact Area; Gold Flash On Solder Tail; Ni Plated ALL Over.
4	TERMINAL-4	1	COPPER ALLOY T=0.20mm	Gold Flash On Contact Area; Matte Sn On Solder Tail; Ni Plated ALL Over.
3	TERMINAL-3	1	COPPER ALLOY T=0.25mm	
2	TERMINAL-2	1	COPPER ALLOY T=0.20mm	
1	TERMINAL-1	1	COPPER ALLOY T=0.20mm	
NO.	DESCRIPTION	QTY	MATERIAL	PLATING

TOLERANCE X.X ±0.35 X.XX ±0.25 X.XXX ±0.10 ANGLE ±2.0°	MODEL NAME: <small>φ3.5MM PHONE JACK 4PORT CH=4.0 PA9T黑色主体 SUS301外壳 端子镀紫锡 针长2.0 载带包装 ROHS环保</small>			DRAWN: DENGJU	
	MODEL NO: WLPN-125A			CHECKED: YAOSHIXUAN	
	UNIT: mm	SCALE: 1:1	REVISION: A	SHEET: 1/1	APPROVED: WUHUAMING
	DATE: 2020/12/14				
深圳市兴万联电子有限公司 SHENZHEN XING WAN LIAN ELECTRONICS CO.,LTD.				DWG NO:	
				FILE: C	