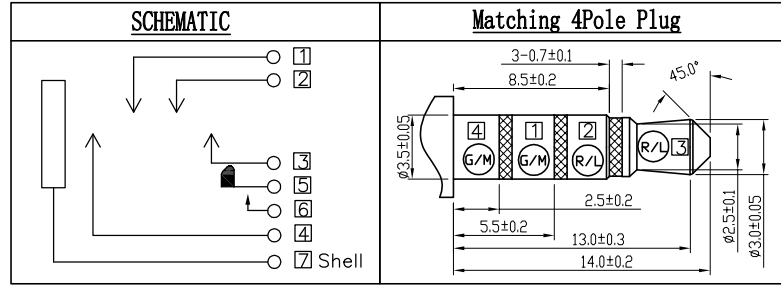
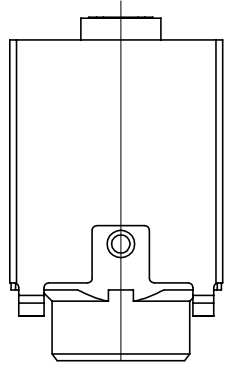


RoHS

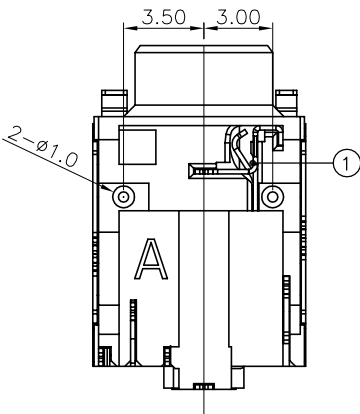
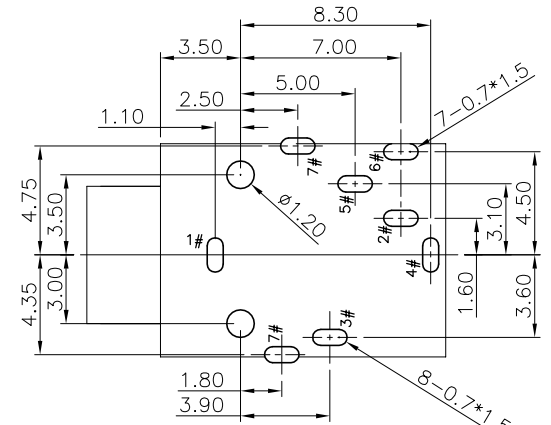
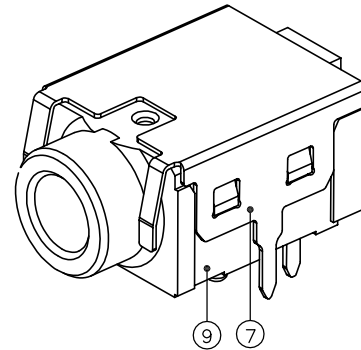
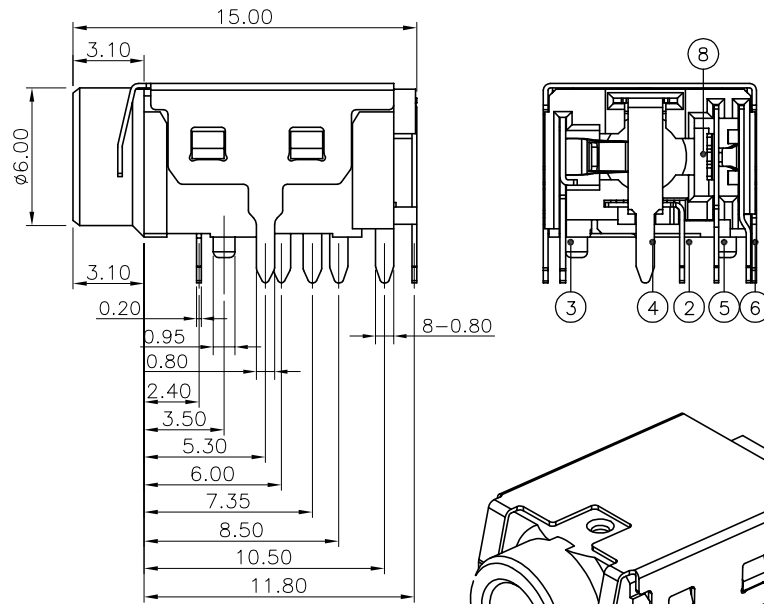
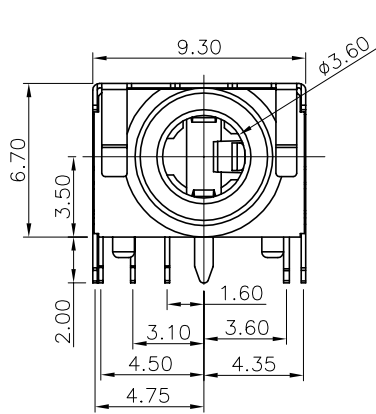
GP

HF

REV.	ECR/N NO.	DESCRIPTION	DRAWN	DATE
A	/	NEW	DENGJU	2021/01/15

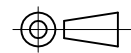


- SPECIFICATION**
1. Rating : DC 30V 0.5A;
  2. Contact resistance:  $\leq 30m\Omega$ ;
  3. Insulation resistance:  $\geq 100M\Omega$  (DC250V);
  4. Withstand voltage: 500VAC ;
  5. Insertion and extraction force: 3-30N;
  6. life test: 5,000 cycles.



9	HOUSING	1	PA9T	黑色
8	INSULATOR	1	PA9T	黑色
7	SHELL	1	SUS301 T=0.20mm	镀镍50u" 最小
6	TERMINAL-6	1	C2680 T=0.20mm	镀金0.4u" 最小, 镀雾锡80u" 最小, 整体镀镍底80u" 最小,
5	TERMINAL-5	1	C2680 T=0.20mm	接触区镀金0.4u" 最小 焊接区镀金0.4u" 最小 整体镀镍底80u" 最小
4	TERMINAL-4	1	C2680 T=0.20mm	
3	TERMINAL-3	1	C2680 T=0.25mm	接触区镀金0.4u" 最小, 焊接区镀雾锡80u" 最小, 整体镀镍底80u" 最小,
2	TERMINAL-2	1	C2680 T=0.20mm	
1	TERMINAL-1	1	C2680 T=0.20mm	
NO.	DESCRIPTION	QTY	MATERIAL	PLATING

TOLERANCE	MODEL NAME:	DRAWN:	
X.X ±0.20	MODEL NO:	DENGJU	
X.XX ±0.10	UNIT:	CHECKED:	WUXIAOTAO
X.XXX ±0.08	SCALE:	APPROVED:	WUHUAMING
ANGLE ±1.0°	REVISION:	DATE:	2021/01/15
	SHEET	DWG NO:	
	mm 1:1 A 1/1	FILE:	C



**WLCO** 深圳市兴万联电子有限公司  
SHENZHEN XING WAN LIAN ELECTRONICS CO.,LTD.