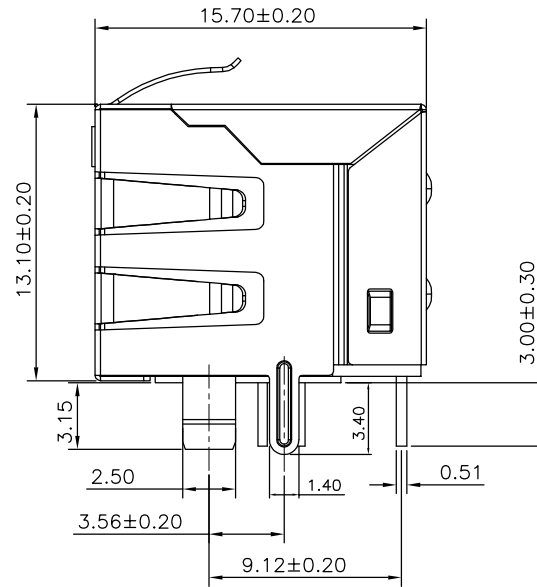
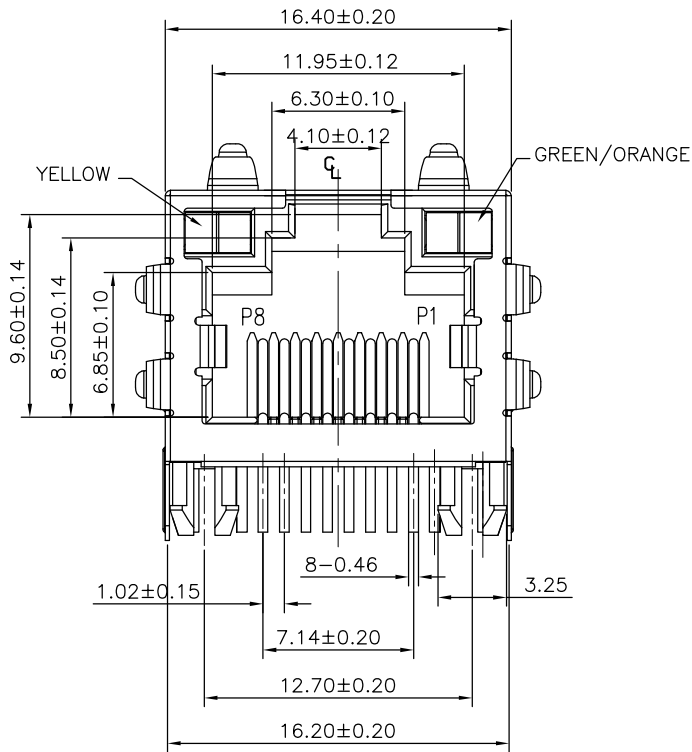


RoHS

GP

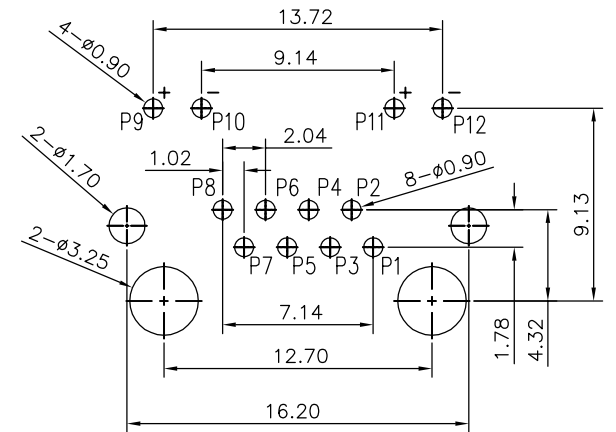
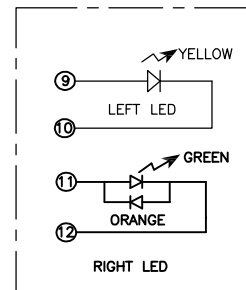
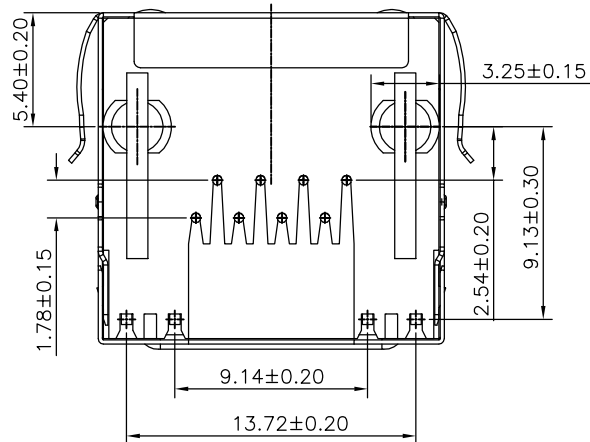
HF

REV.	ECR/N NO.	DESCRIPTION	DRAWN	DATE
A	/	NEW	YAOSHIXUAN	2020/05/08

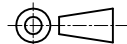


NOTE:

- 1. MATERIAL:
  - 1.1 HOUSING: PA46,UL94V-0; COLOR: BLACK
  - 1.2 CONTACT: 0.46mm DIA COPPER ALLOY
  - 1.3 SHELL: COPPER ALLOY
- 2. FINISH:
  - 2.1 CONTACT: GOLD PLATED OVER
  - 2.2 SHELL: NICKEL PLATING OVERALL
- 3. LED1: YELLOW
- 4. LED2: GREEN/ORANGE
- 5. LED测试电压: 1.9-2.1V



RECOMMENDED P.C.B LAYOUT TOP VIEW (COMPONENT SIDE)

TOLERANCE	MODEL NAME:	RJ45 90° DIP带弹带灯 左黄右绿橙 PA46环保防火			DRAWN:	YAOSHIXUAN
X.X ±0.35	MODEL NO:	WLRJ-214B			CHECKED:	WUHUAMING
X.XX ±0.25	UNIT:	SCALE:	REVISION:	SHEET	APPROVED:	WUHUAMING
X.XXX ±0.10	mm	1:1	A	1/1	DATE:	2020/05/08
ANGLE ±2.0°	 <b>WLRJ-214B</b> 深圳市兴万联电子有限公司 SHENZHEN XING WAN LIAN ELECTRONICS CO.,LTD.				DWG NO:	
					FILE:	C