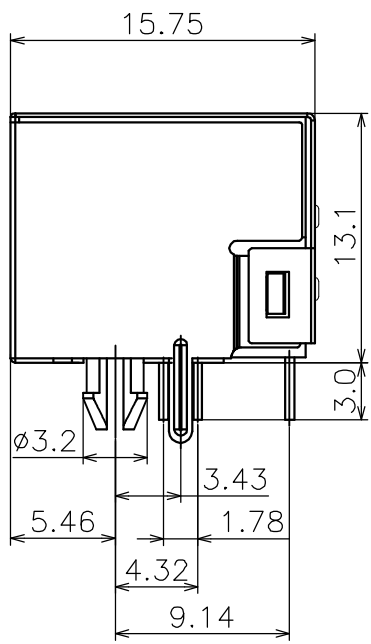
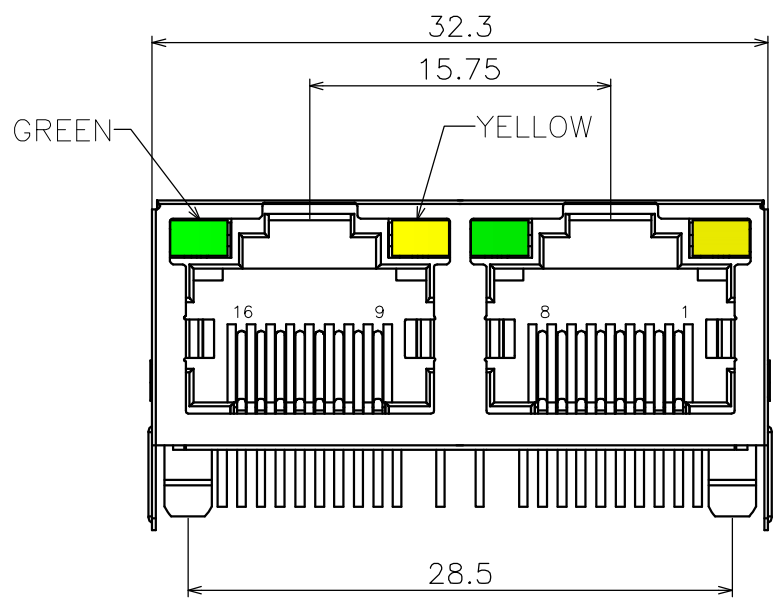
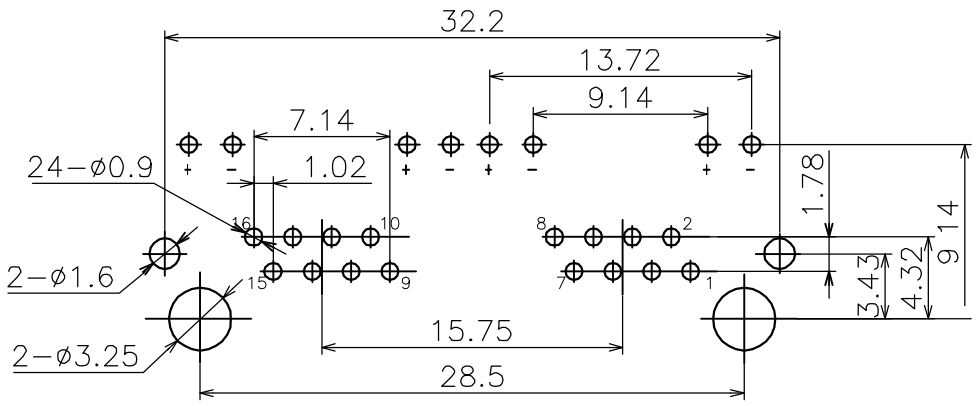


RoHS GP HF


REV.	ECR/N NO.	DESCRIPTION	DRAWN	DATE
A	/	NEW	HaiXiang	2017/05/24



NOTE:
 1. Material:
 Housing: Thermoplastics,UL94V-0; Color: Black.
 Contact: Phosphor Bronze $\phi 0.46\text{mm}$.
 Shell: Copper Alloy $T=0.20\text{mm}$.
 2. FINISH:
 Contact: Au Plated Over All,
 Nickel Underplating Over All.
 Shell: Nickel plating Over All.
 3. Specification:
 Contact Current Rating: 1.5A
 Insulation Resistance: 100M Ω Min.
 Contact Resistance: 30 m Ω Max.
 Dielectric Withstanding Voltage: 1000V/AC/Min.



PCB LAYOUT(TOP VIEW)
RECOMMENDED

TOLERANCE	MODEL NAME: RJ45 1X2 90° DIP 铜壳无弹带灯左绿右黄 PBT黑色	DRAWN: HAUNGHAIXIANG
X.X ± 0.35	MODEL NO: WLRJ-308A	CHECKED: YAOSHIXUAN
X.XX ± 0.25	UNIT: mm	APPROVED: WUHUAMING
X.XXX ± 0.10	SCALE: 1:1	DATE: 2017/05/24
ANGLE $\pm 1.0^\circ$	REVISION: A	DWG NO:
	SHEET: 1/1	FILE: C
	 深圳市兴万联电子有限公司 SHENZHEN XING WAN LIAN ELECTRONICS CO.,LTD.	