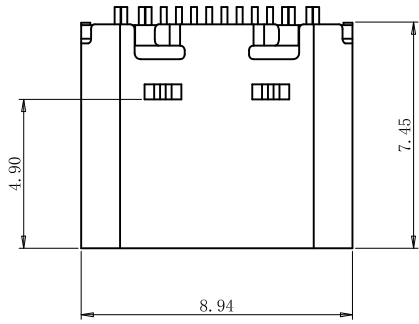


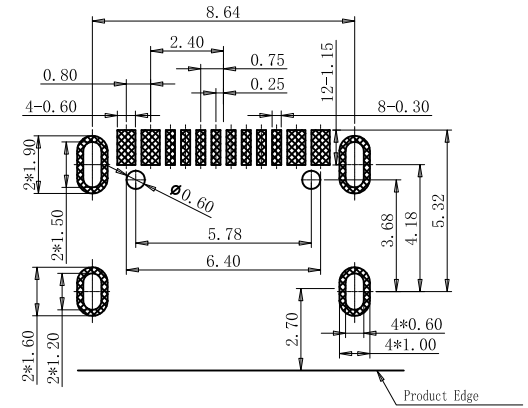
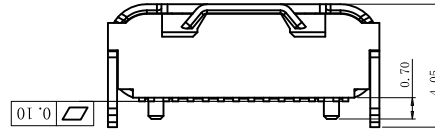
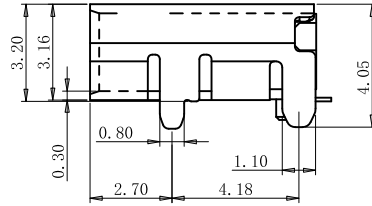
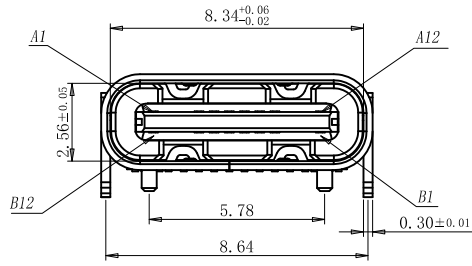
RoHS GP HF

REV.	ECR/N NO.	DESCRIPTION	DRAWN	DATE
A	/	NEW	DENGJU	2021/01/13



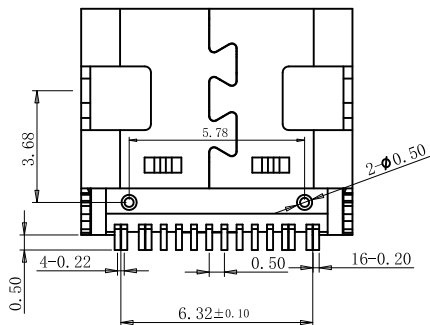
SPECIFICATIONS:

- ELECTRICAL CHARACTERISTICS:
 - CONTACT RESISTANCE: 30mΩMAX.
 - DIELECTRIC WITHSTANDING VOLTAGE: 100V AC FOR ONE MINUTE.
 - INSULATION RESISTANCE: 100MΩMIN. MEASURED BY 500 VDC
- MECHANICAL CHARACTERISTICS:
 - INSERTION FORCE :0.5-2.0Kgf(REF.)
 - WITHDRAWAL FORCE :0.8-2.0Kgf(REF.)
- LIFE TEST: 10,000 CYCLES.
- TO CONFORM TO THE KRCONN HAZARDOUS SUBSTANCE FREE SPEC.



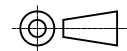
RECOMMENDED P. C. B. LAYOUT (T:1.00mm)

TOLERANCE UNSPECIFIED ±0.05mm



A1	GND	B12	GND
A4	VBUS	B9	VBUS
A5	CC1	B8	SBU2
A6	DP1	B7	DN2
A7	DN1	B6	DP2
A8	SBU1	B5	CC2
A9	VBUS	B4	VBUS
A12	GND	B1	GND
PIN	SIGNAL NAME	PIN	SIGNAL NAME

6	SHELL	STAINLESS STEEL	NI Plated	IPCS
5	SHIELDING PLATE	STAINLESS STEEL	---	IPCS
4	MD	HIGH TEMPERATURE PLASTIC	BLACK	IPCS
3	CONTACT	COPPER ALLOY	Au/Ni Plated	ISET
2	CONTACT	COPPER ALLOY	Au/Ni Plated	ISET
1	HOUSING	HIGH TEMPERATURE PLASTIC	BLACK	IPCS
NO.	DESCRIPTION	MATERIAL		REMARKS
TOLERANCE		MODEL NAME:		DRAWN: DENGJU
X.X ±0.35		USB TYPE C母座 16PIN LCP黑色有柱 SUS外壳 无弹 端子SMT镀金G.F		CHECKED: YAOSHIXUAN
X.XX ±0.25		MODEL NO: WLUS-495D		APPROVED: WUHUAMING
X.XXX ±0.10		UNIT: mm	SCALE: 1:1	DATE: 2021/01/13
ANGLE ±2.0°		REVISION: A	SHEET: 1/1	DWG NO:
		DWG NO:		FILE: C



WLCO 深圳市兴万联电子有限公司
SHENZHEN XING WAN LIAN ELECTRONICS CO., LTD.