

RoHS GP HF

REV.	ECR/N NO.	DESCRIPTION	DRAWN	DATE
A		NEW	ChenLianHui	2019/11/14
B		修改图纸与实物相符, 增加外壳铆点	ChenLianHui	2020/07/24

NOTE:

1. MATERIAL:

- 1-1. HOUSING/COVER: THERMOPLASTIC,UL94V-0;COLOR:BLACK;
- 1-2. 4PIN CONTACTS: COPPER ALLOY,T=0.20mm;
- 1-3. 5PIN CONTACTS: COPPER ALLOY,T=0.20mm;
- 1-4. SHELL: STAINLESS STEEL,T=0.30mm

2. PLATING SPECIFICATION:

2-1. CONTACTS:

- NI 50u" MIN. PLATED ON OVERALL.
- GOLD PLATED ON THE FUNCTIONAL ARER OF CONTACT.
- MATTE Sn 80u" MIN. PLATED ON SOLDER AREA.

2-2. SHELL:

- NI 50u" MIN. PLATED ON OVERALL.

3. SPECIFICATION:

3-1. ELECTRICAL:

- CONTACT CURRENT RATING: 1.8A FOR PIN1 & PIN4
- 0.25A FOR OTHERS.

INSULATION RESISTANCE: 100MΩ MIN.

CONTACT RESISTANCE: 30 mΩ MAX.

DIELECTRIC WITHSTANDING VOLTAGE: AC 100V FOR 1MINUTE

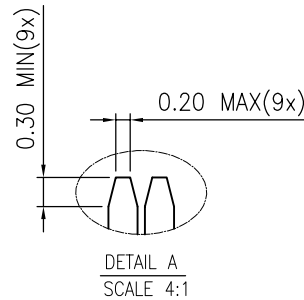
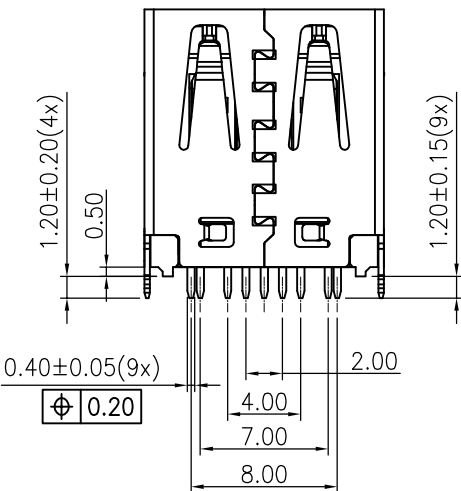
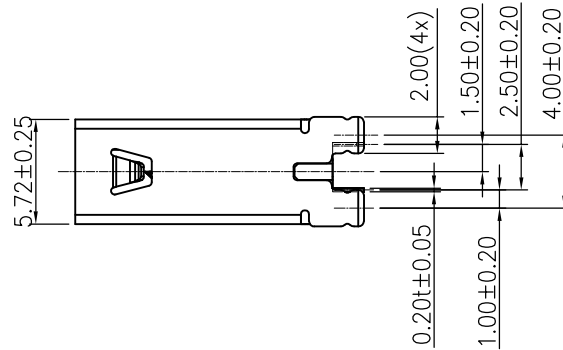
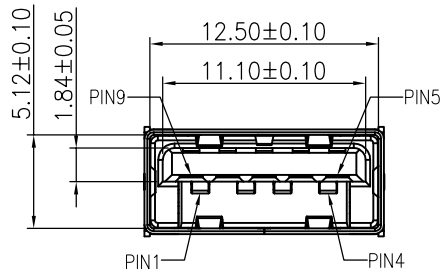
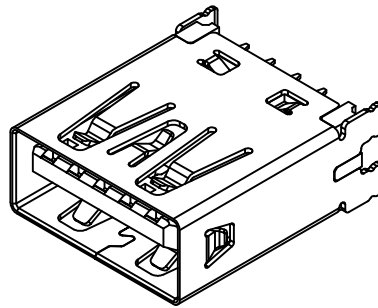
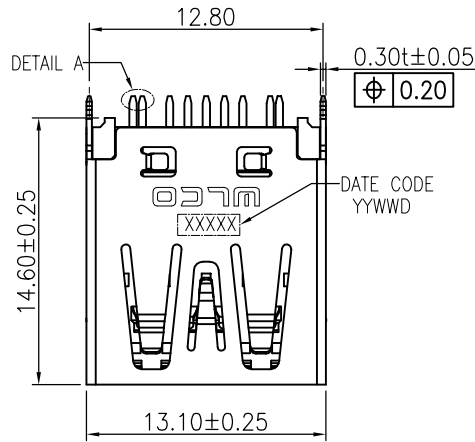
3-2. MECHANICAL:

INSULATION FORCE: 3.57Kgf MAX.

REMOVAL FORCE: 1.02Kgf MIN.,0.80Kgf MIN. AFTER DURABILITY

DURABILITY: 5000 CYCLES

4. HF COMPLIANT.

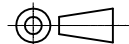


Pin Assignments

Pin Number	Signal Name	Pin Number	Signal Name
1	VBUS	5	Std <sub>a</sub> _SSRX-
2	D-	6	Std <sub>a</sub> _SSRX+
3	D+	7	GND_DRAIN
4	GND	8	Std <sub>a</sub> _SSTX-
SHELL	Shield	9	Std <sub>a</sub> _SSTX+

TABLE:

FACTORY P/N	FINISH
WLUS-548A	GOLD FLASH
WLUS-549A	Au: 30u"

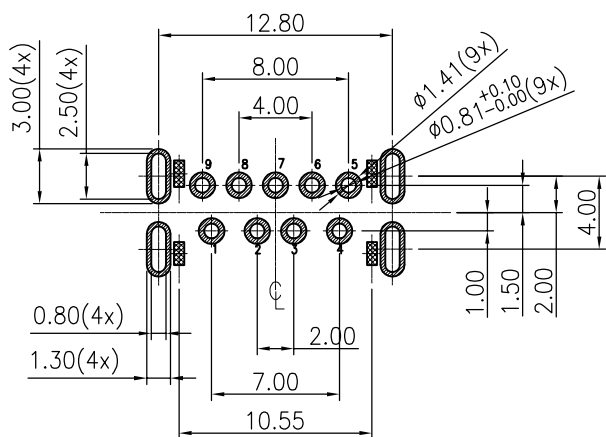
TOLERANCE	MODEL NAME	DRAWN: WUXIAOTAO		
X.X ±0.30	MODEL NO: WLUS-548A	CHECKED: WUHUAMING		
X.XX ±0.25		APPROVED: WUHUAMING		
X.XXX ±0.15	UNIT: mm	SCALE: 1:1	REVISION: B	SHEET 1/2
ANGLE ±2.0°	DATE: 2020/07/24			
 <b>WLCO</b> 深圳市兴万联电子有限公司 SHENZHEN XING WAN LIAN ELECTRONICS CO.,LTD.		DWG NO:		
		FILE: C		

RoHS

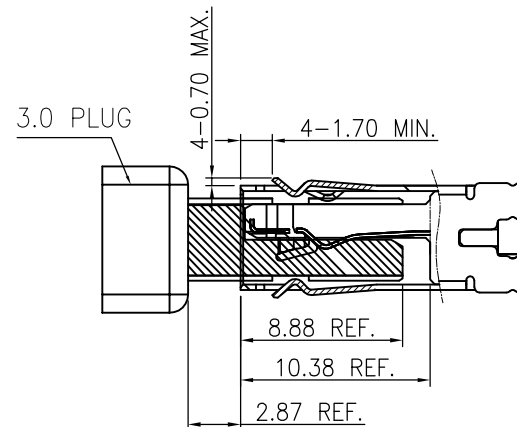
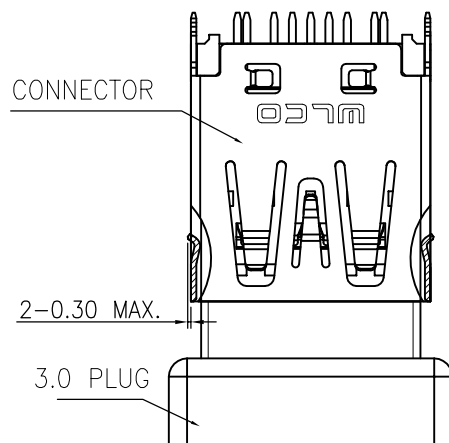
GP

HF

REV.	ECR/N NO.	DESCRIPTION	DRAWN	DATE
A		NEW	ChenLianHui	2019/11/14
B		修改图纸与实物相符, 增加外壳铆点	ChenLianHui	2020/07/24

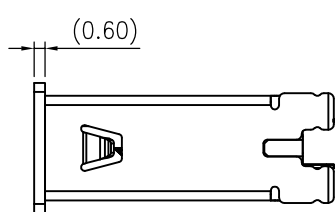
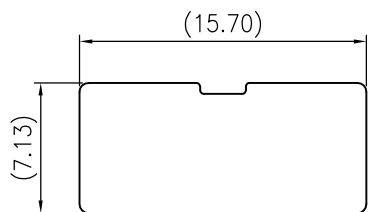
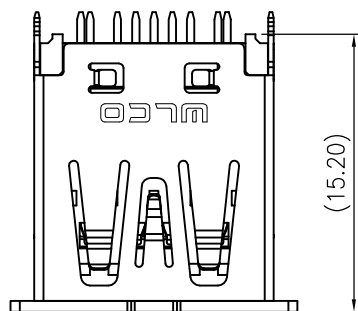


Recommended P.C.B Layout(Component Side)  
Thickness:1.60mm(Top View) Default Tol  $\pm 0.05$



RECOMMENDED METHOD OF MATE

SCALE: 1:1



WITH CAP DRAWING

Pin Assignments

Pin Number	Signal Name	Pin Number	Signal Name
1	VBUS	5	Std <sub>a</sub> _SSRX-
2	D-	6	Std <sub>a</sub> _SSRX+
3	D+	7	GND_DRAIN
4	GND	8	Std <sub>a</sub> _SSTX-
SHELL	Shield	9	Std <sub>a</sub> _SSTX+

TABLE:

FACTORY P/N	FINISH
WLUS-548A	GOLD FLASH
WLUS-549A	Au: 30u"

TOLERANCE	MODEL NAME	DRAWN: WUXIAOTAO		
X.X $\pm 0.30$	MODEL NO: WLUS-548A	CHECKED: WUHUAMING		
X.XX $\pm 0.25$	UNIT: mm	SCALE: 1:1	REVISION: B	APPROVED: WUHUAMING
X.XXX $\pm 0.15$	ANGLE $\pm 2.0^\circ$	DATE: 2020/07/24		
		DWG NO:		
	<b>WLCO</b> 深圳市兴万联电子有限公司 SHENZHEN XING WAN LIAN ELECTRONICS CO.,LTD.	FILE: C		