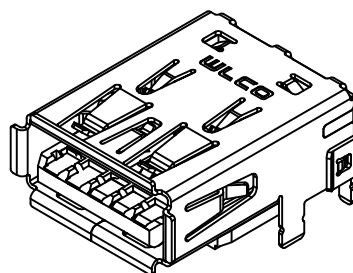
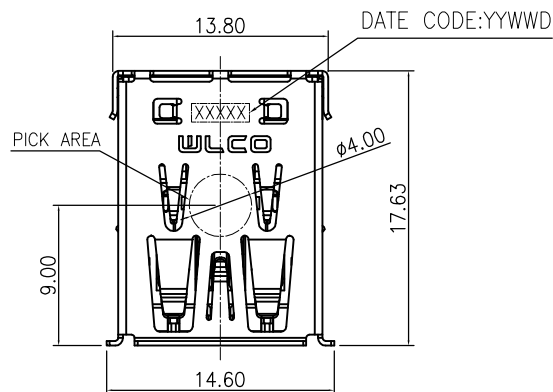


RoHS

GP

HF

REV.	ECN NO.	DESCRIPTION	DESIGN	DATE
A		NEW	CHENLIANHUI	2020/03/12



NOTE:

1. MATERIAL:

- 1-1. 4PIN MOLDING: PA9T+30%GF; UL94V-0; COLOR: BLACK;
- 1-2. 5PIN MOLDING: PA9T+30%GF; UL94V-0; COLOR: BLACK;
- 1-3. COVER: PA9T+30%GF; UL94V-0; COLOR: BLACK;
- 1-4. 4PIN CONTACTS: C5210,T=0.20mm;
- 1-5. 5PIN CONTACTS: C2680,T=0.20mm;
- 1-6. SHELL: STAINLESS STEEL,T=0.30mm

2. PLATING SPECIFICATION:

2-1. CONTACTS:

NI 50u" MIN. PLATED ON OVERALL. Au 15u" MIN. PLATED ON THE FUNCTIONAL ARER OF CONTACT. MATTE Sn 80u" MIN. PLATED ON SOLDER AREA.

2-2. SHELL:

NI 50u" MIN. PLATED ON OVERALL.

3. SPECIFICATION:

3-1. ELECTRICAL:

CONTACT CURRENT RATING: 1.8A FOR PIN1 & PIN4
0.25A FOR OTHERS.

INSULATION RESISTANCE: 100MΩ MIN.

CONTACT RESISTANCE: 30 mΩ MAX.

DIELECTRIC WITHSTANDING VOLTAGE: AC 100V FOR 1MINUTE

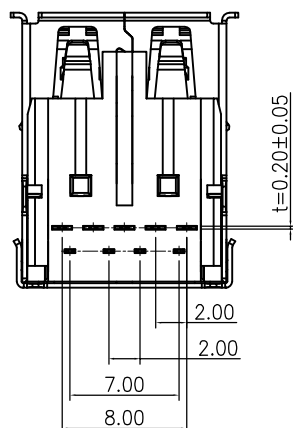
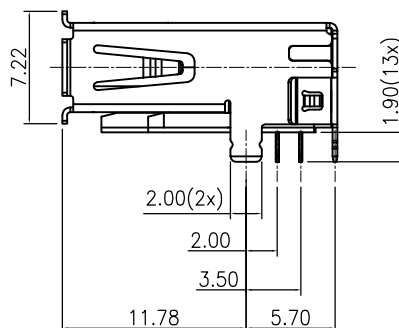
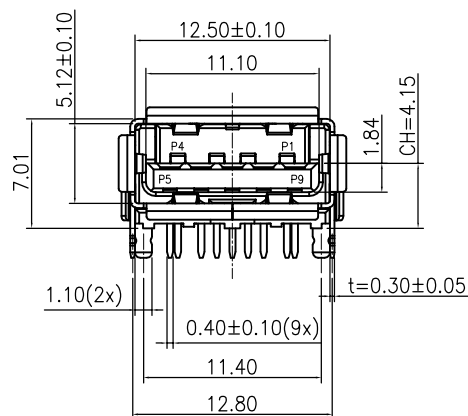
3-2. MECHANICAL:

INSULATION FORCE: 3.57Kgf MAX.

REMOVAL FORCE: 1.02Kgf MIN.,0.80Kgf MIN. AFTER DURABILITY

DURABILITY: 5000 CYCLES

4. HF COMPLIANT.



Pin Assignments

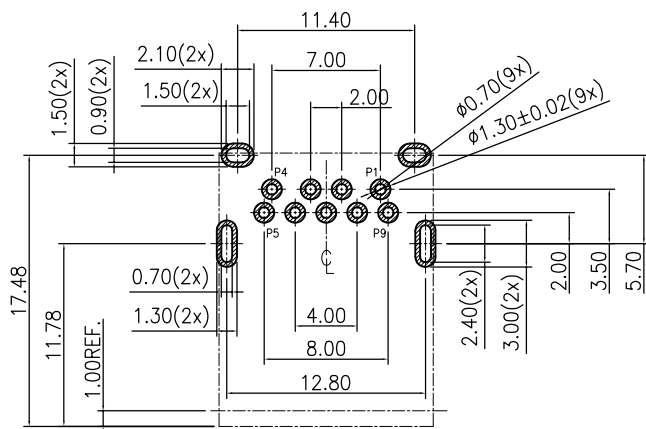
Pin Number	Signal Name	Pin Number	Signal Name
1	VBUS	5	Std_a_SSRX-
2	D-	6	Std_a_SSRX+
3	D+	7	GND_DRAIN
4	GND	8	Std_a_SSTX-
SHELL	Shield	9	Std_a_SSTX+

<p>TOLERANCE</p> <p>X.X ±0.30</p> <p>X.XX ±0.25</p> <p>X.XXX ±0.15</p> <p>Angle ±2.0°</p>	<p>MODEL NAME: 单眼USB 3.1 A-TYPE 反向CH-L15 PA9T塑胶 无卤环保 端子合金厚度15u" 4PIN C5210</p> <p>GF1N C2680 针长1.90 外壳不锈钢窗口卷边 带WLCO 喷DC 喷锡包胶</p>				<p>DRAWN: CHENLIANHUI</p>	
	<p>MODEL NO: WLUS-557A</p>				<p>CHECKED: WUXIAOTAO</p>	
	UNIT:	SCALE:	REVISION:	SHEET	<p>APPROVED: WUHUAMING</p>	
	mm	Full	A	1/2	<p>DATE: 2020/03/12</p>	
				<p>DWG NO.</p>		
				<p>FILE: C</p>		

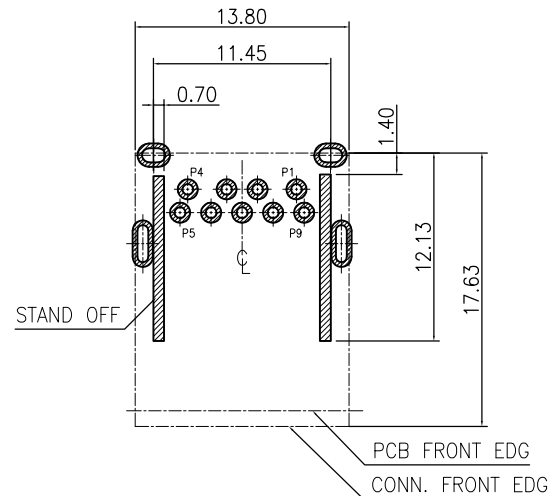
RoHS



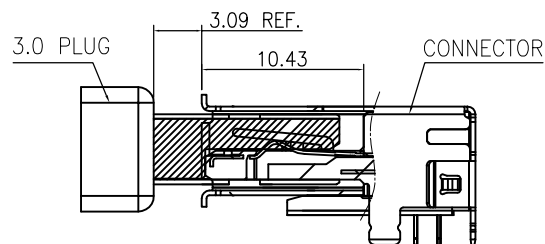
REV.	ECN NO.	DESCRIPTION	DESIGN	DATE
A		NEW	CHENLIANHUI	2020/03/12



RECOMMENDED P.C.B LAYOUT
 THICKNESS:1.60mm(TOP VIEW)
 DEFAULT TOL ±0.05



RECOMMENDED CONNECTOR EDGE(TOP VIEW)
 (COMPONENT SIDE, TOP VIEW)



RECOMMENDED METHOD OF MATE
 SCALE 1:1

Pin Assignments

Pin Number	Signal Name	Pin Number	Signal Name
1	VBUS	5	Std _a _SSRX-
2	D-	6	Std _a _SSRX+
3	D+	7	GND_DRAIN
4	GND	8	Std _a _SSTX-
SHELL	Shield	9	Std _a _SSTX+

TOLERANCE X.X ±0.30 X.XX ±0.25 X.XXX ±0.15 Angle ±2.0°	MODEL NAME: 单股USB 3.1 A-TYPE 反向CH-4.15 PA971塑胶 无卤环保 端子半全金属15° 4PIN CS210 SPIN CS280 针长1.90 外壳不锈钢窗口透边 普阻LO 喷DC 软带包胶				DRAWN: CHENLIANHUI	
	MODEL NO: WLUS-557A				CHECKED: WUXIAOTAO	
	UNIT:	SCALE:	REVISION:	SHEET	APPROVED: WUHUAMING	
	mm	Full	A	2/2	DATE: 2020/03/12	
WLCO 深圳市兴万联电子有限公司 SHENZHEN XING WAN LIAN ELECTRONICS CO., LTD.				DWG NO.		
				FILE: C		