

RoHS GP HF

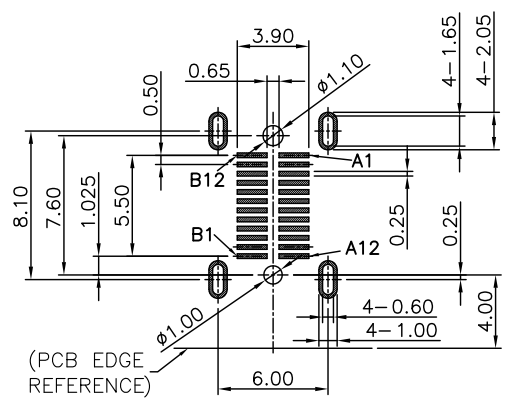
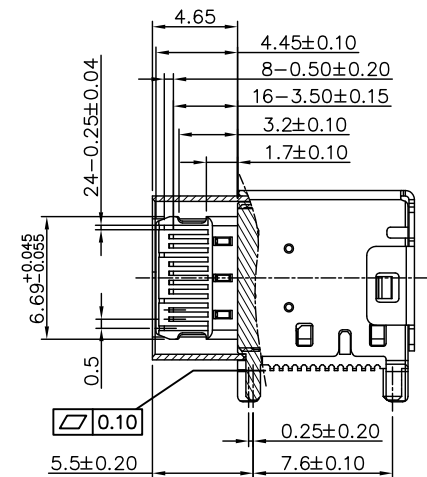
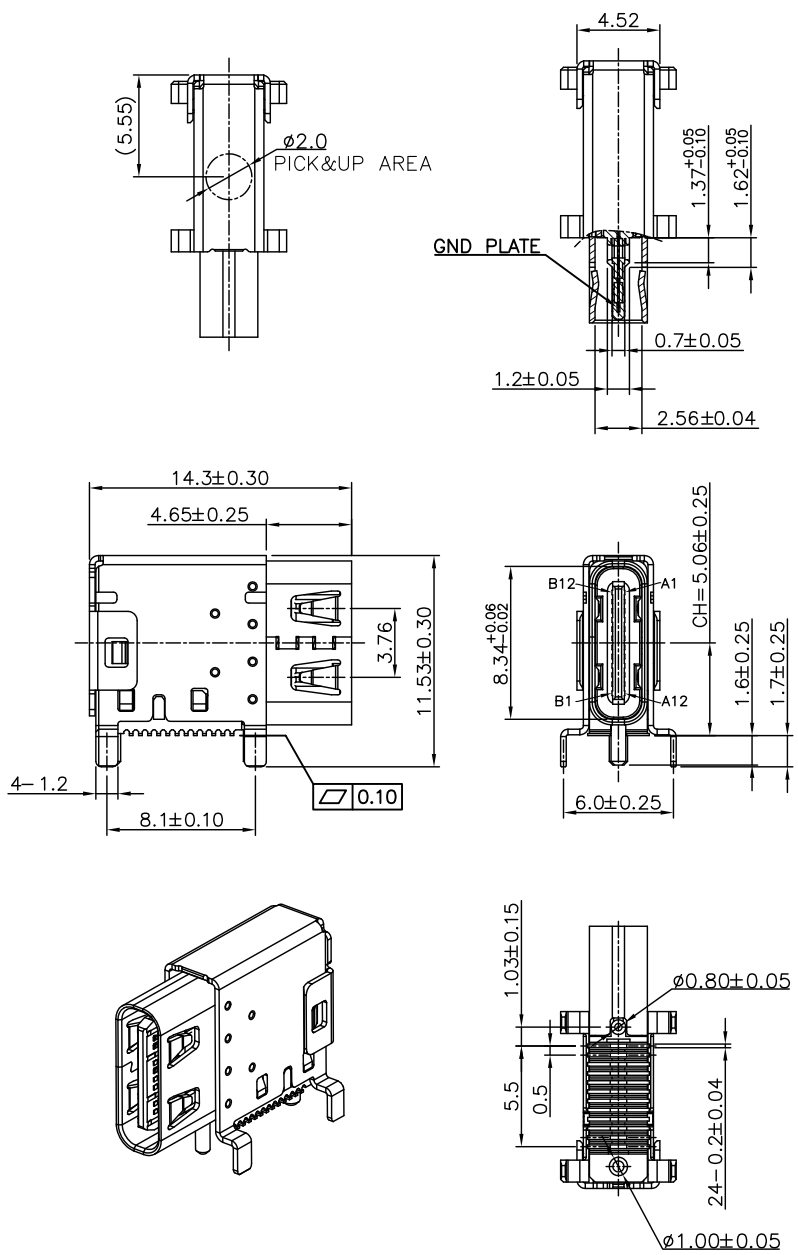
PIN ASSIGNMENT:

PIN	Signal Name	PIN	Signal Name
A1	GND	B12	GND
A2	SSTXp1	B11	SSRXp1
A3	SSTXn1	B10	SSRXn1
A4	Vbus	B9	Vbus
A5	CC1	B8	SBU2
A6	Dp1	B7	DN2
A7	Dn1	B6	DP2
A8	SBU1	B5	CC2
A9	Vbus	B4	Vbus
A10	SSRXn2	B3	SSTXn2
A11	SSRXp2	B2	SSTXp2
A12	GND	B1	GND

REV.	ECR/N NO.	DESCRIPTION	DRAWN	DATE
A	/	NEW	Shixuan.Yao	2019/05/24
B	/	更新描述	DENGJU	2021/04/22

NOTES:

- MATERIAL:
HOUSING: LCP,UL94V-0; COLOR: BLACK.
CONTACT: COPPER ALLOY.
MID PLATE : STAINLESS STEEL.
SHELL: STAINLESS STEEL.
- FINISH:
CONTACT: 15u" GOLD PLATED ON CONTACT AREA,
GOLD FLASH PLATED ON SOLDER TAILS,
NICKEL UNDERPLATING OVER ALL.
SHELL: NICKEL PLATING OVER ALL.
- SPECIFICATION:
3.1: ELECTRICAL:
CURRENT RATING: 5.0A FOR Vbus PIN,
1.25A FOR Vconn PIN,
0.25A FOR OTHER PINS.
INSULATION RESISTANCE: 100MΩ Min.
CONTACT RESISTANCE: 40mΩ Max.
DIELECTRIC WITHSTANDING VOLTAGE: 100V/AC 1MINUTE.
3.2: MECHANICAL:
MATING FORCE: 5~20N.
UNMATING FORCE: 8~20N.
DURABILITY: 10,000 CYCLES.



RECOMMENDED P.C.B LAYOUT
TOLERANCE ± 0.05mm (TOP VIEW)

TOLERANCE	MODEL NAME: USB TYPE-C 24PIN 插母座 CH5.06 LCP黑色无齿 SUS外壳 端子镀金15U" ROHS环保 裁带包装	DRAWN: DENGJU
X.X ±0.35	MODEL NO: WLUS-560A	CHECKED: XIAOTAO,WU
X.XX ±0.25	UNIT: SCALE: REVISION: SHEET	APPROVED: HUAMING,WU
X.XXX ±0.10	mm 1:1 B 1/1	DATE: 2021/04/22
ANGLE ±2.0°	WILCO 深圳市兴万联电子有限公司 SHENZHEN XING WAN LIAN ELECTRONICS CO.,LTD.	DWG NO:
		FILE: C