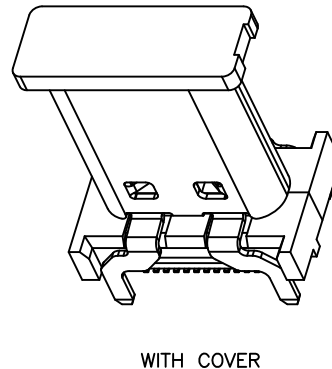
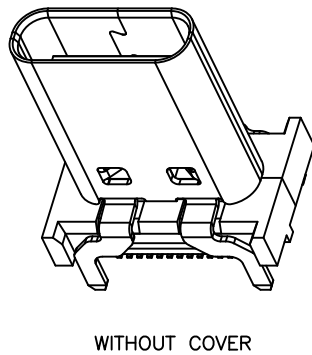
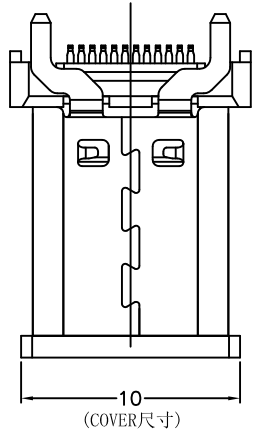


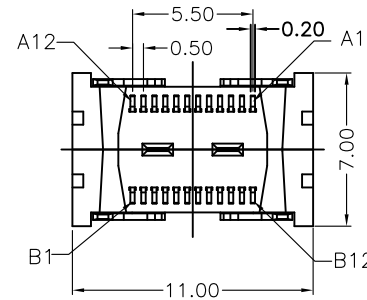
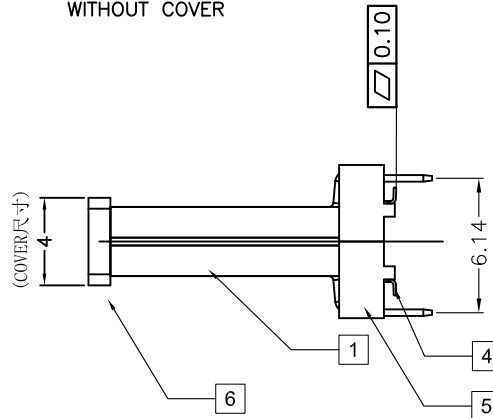
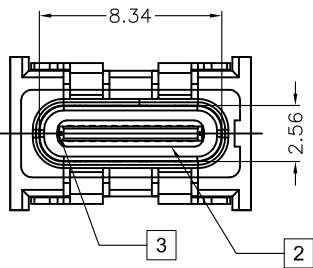
RoHS GP HF

REV.	ECR/N NO.	DESCRIPTION	DRAWN	DATE
A	/	NEW	DENGJU	2021/04/26



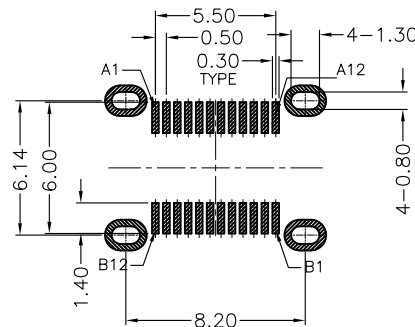
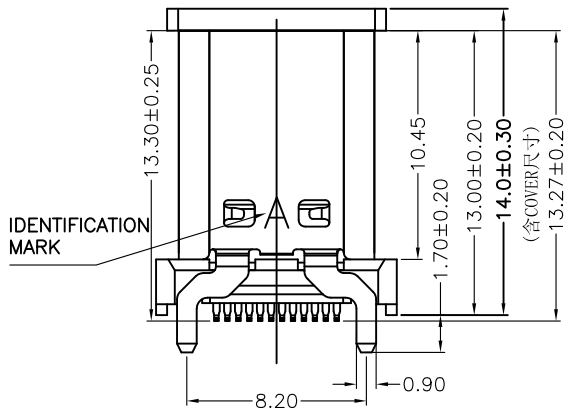
Pin Assignments

Pin	Signal Name	Description	Mating Sequence	Pin	Signal Name	Description	Mating Sequence
A1	GND	Ground return	First	B12	GND	Ground return	First
A2	SSTXp1	Positive half of first SuperSpeed TX differential pair	Second	B11	SSRXp1	Positive half of first SuperSpeed RX differential pair	Second
A3	SSTXn1	Negative half of first SuperSpeed TX differential pair	Second	B10	SSRXn1	Negative half of first SuperSpeed RX differential pair	Second
A4	VBUS	Bus Power	First	B9	VBUS	Bus Power	First
A5	CC1	Configuration Channel	Second	B8	SBU2	Sideband Use	Second
A6	Dp1	Positive half of the USB2.0 differential pair-Position 1	Second	B7	Dn2	Negative half of the USB2.0 differential pair-Position 2	Second
A7	Dn1	Negative half of the USB2.0 differential pair-Position 1	Second	B6	Dp2	Positive half of the USB2.0 differential pair-Position 2	Second
A8	SBU1	Sideband Use	Second	B5	CC2	Configuration Channel	Second
A9	VBUS	Bus Power	First	B4	VBUS	Bus Power	First
A10	SSRXn2	Negative half of second SuperSpeed RX differential pair	Second	B3	SSTXn2	Negative half of second SuperSpeed TX differential pair	Second
A11	SSRXp2	Positive half of second SuperSpeed RX differential pair	Second	B2	SSTXp2	Positive half of second SuperSpeed TX differential pair	Second
A12	GND	Ground return	First	B1	GND	Ground return	First



NOTES:

- MATERIAL:
HOUSING: LCP,UL94V-0; COLOR: BLACK.
COVER: LCP,UL94V-0; COLOR: BLACK.
CONTACT: COPPER ALLOY.
SHELL: STAINLESS STEEL.
MID PLATE: STAINLESS STEEL.
GND PLATE: STAINLESS STEEL.
- FINISH:
CONTACT: GOLD PLATED ON CONTACT AREA, MATT TIN PLATED ON SOLDER TAILS, NICKEL UNDERPLATING OVER ALL.
SHELL: NICKEL PLATING OVER ALL.
- SPECIFICATION:
3.1: ELECTRICAL:
INSULATION RESISTANCE: 100MΩ Min.
CONTACT RESISTANCE: 40mΩ Max.
DIELECTRIC WITHSTANDING VOLTAGE: 100V/AC 1MINUTE.
3.2: MECHANICAL:
MATING FORCE: 5~20N.
UNMATING FORCE: 8~20N.
DURABILITY: 10000 CYCLES.



RECOMMEND P.C.B LAYOUT(COMPONENT SIDE)

TOLERANCE FOR PCB LAYOUT IS ± 0.05
KEEP OUT AREA

TOLERANCE	MODEL NAME: USB TYPE C母座 180度 L=13H LCP黑色 半金锡G.F	DRAWN: DENGJU
X.X ±0.35	MODEL NO: WLUS-583A	CHECKED: XIAOTAO.WU
X.XX ±0.25	UNIT: SCALE: REVISION: SHEET	APPROVED: HUAMING.WU
X.XXX ±0.10	mm 1:1 A 1/1	DATE: 2021/04/26
ANGLE ±2.0°	WILCO 深圳市兴万联电子有限公司 SHENZHEN XING WAN LIAN ELECTRONICS CO.,LTD.	DWG NO:
		FILE: C