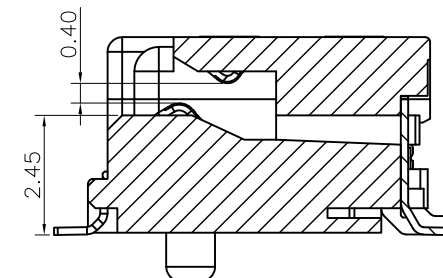
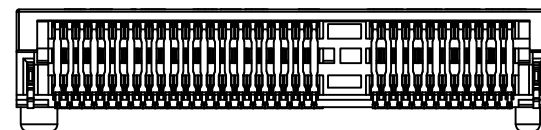
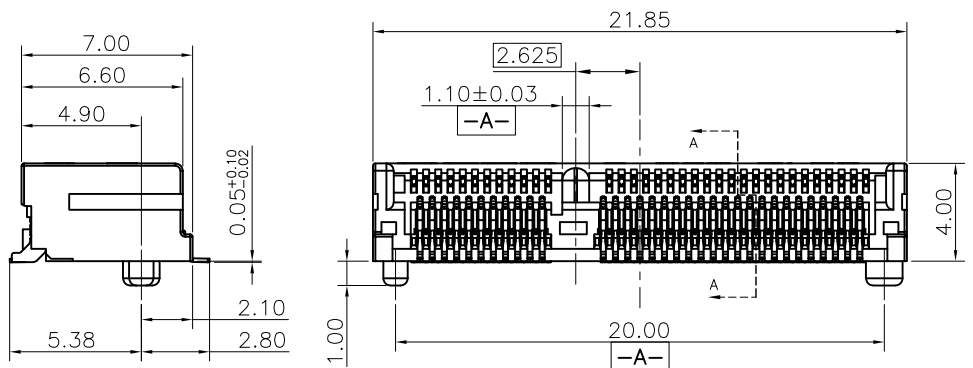
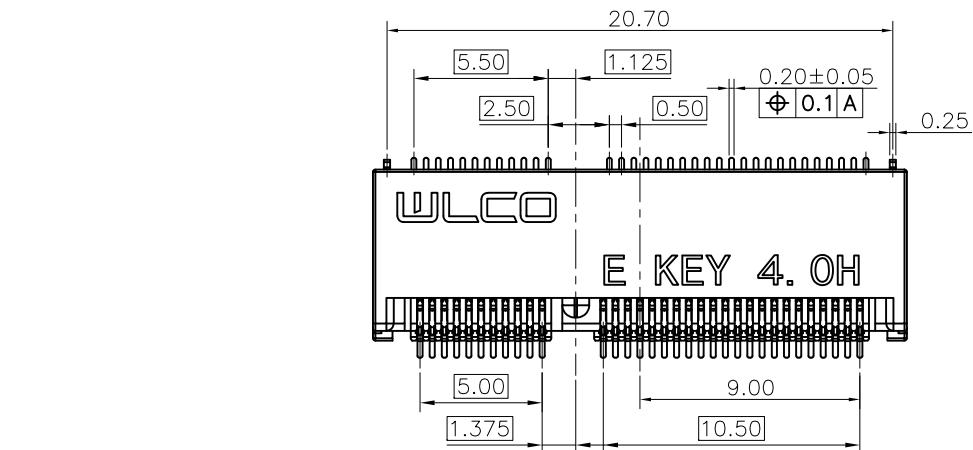
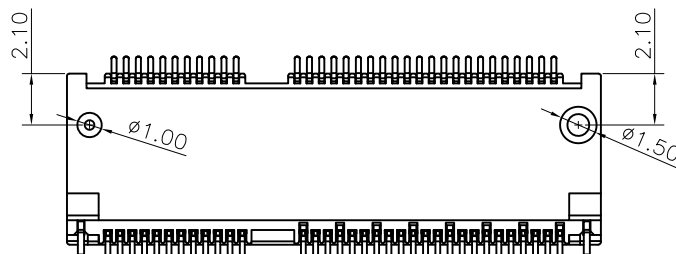


REV.	ECN MARK	ECN NO.	DESCRIPTION	DRAWN	DATE
A	⊗	—	NEW	ZhuChao	2022/12/02



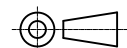
SECTION A-A 2:1



Notes:

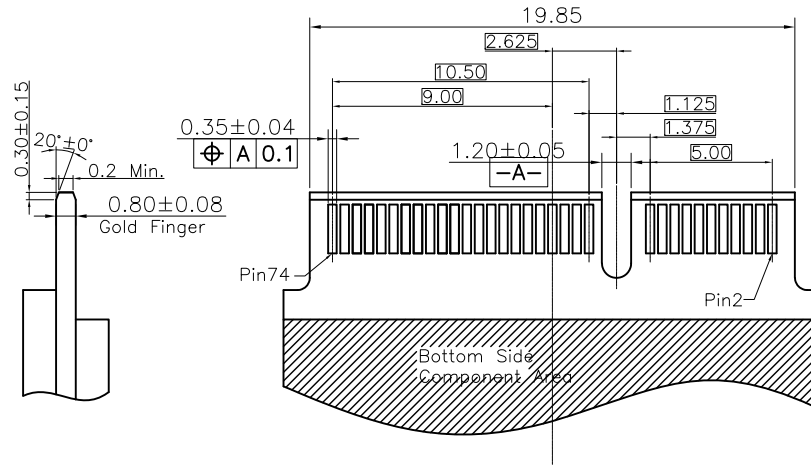
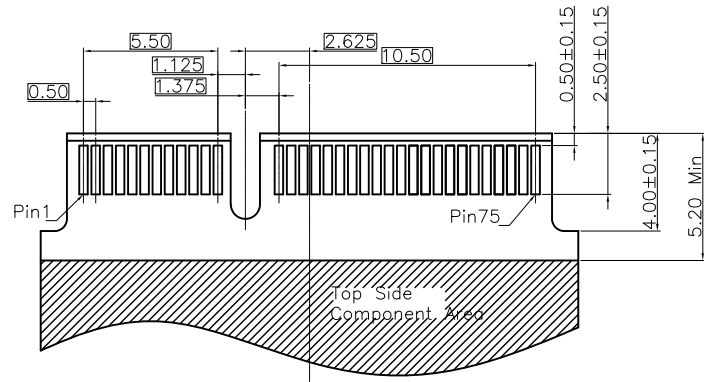
- Ratings
  - Voltage Rating: 3.3V DC (Per pin);
  - Current Rating: 0.5A (Per pin);
  - Operating Temperature:  $-40^{\circ}\text{C} \sim 80^{\circ}\text{C}$ ;
- Electrical Requirement:
  - LLCR: 55m $\Omega$  Max,(Initial), 20m $\Omega$  Max. change allowed(Final);
  - Dielectric Withstanding Voltage: 300V AC (RMS) for 1 minute;
  - Insulation Resistance: 500M $\Omega$  Min. @ 500V DC;
- Mechanical Requirement:
  - Insertion Force-25 N
  - Durability: 25 Cycles;
  - Vibration: No electrical discontinuity greater than 2m sec shall occur;
  - Mechanical Shock: 250G(Notebook) half sine / 6 axis  
No electrical discontinuity greater than 2m sec shall occur;
- Recommended condition for SMT soldering:  
Peak temperture shall be  $260\pm 5^{\circ}\text{C}$ ,duration  $10\pm 2$  seconds.

3	HOOK	2PCS	C2680,Overall matte tin and nickel plating	
2	CONTACT	67PIN	C5210,Gilded contact area, tinned welding area	
1	HOUSING	1PCS	LCP,Black,UL94-V0	
ITEM	NAME	Q'TY	SPEC DESCRIPTION	REMARKS
TOLERANCE		MODEL NAME: M.2 KEY E 4.0H GEN4		DRAWN: ZhuChao
X.X	$\pm 0.35$	MODEL NO: SEE TABLE		CHECKED: Youhua Cai
X.XX	$\pm 0.25$	UNIT: mm	SCALE: 1:1	APPROVED: Youhua Cai
X.XXX	$\pm 0.10$	REVISION: A	SHEET: 1/2	DATE: 2022/12/02
ANGLE	$\pm 2.0'$	DWG NO: C-WLM2-67P06		FILE: C

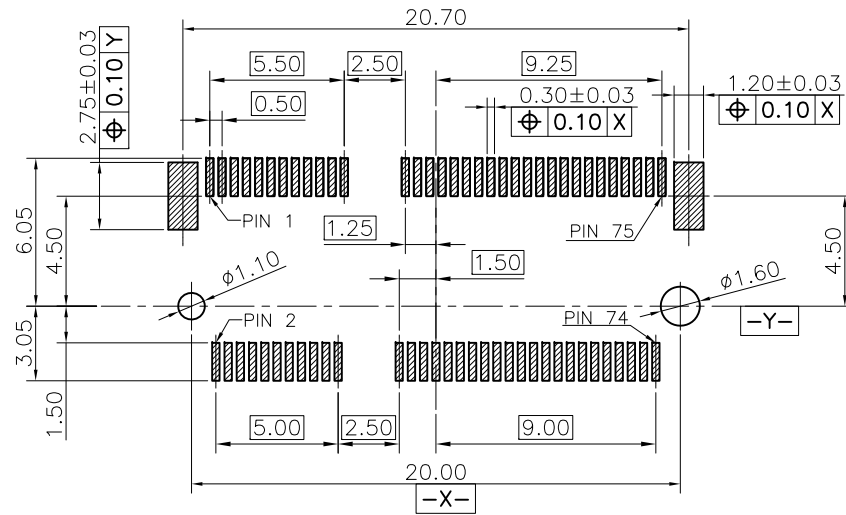


**WLCO** 深圳市兴万联电子有限公司  
SHENZHEN XING WAN LIAN ELECTRONICS CO., LTD.

REV.	ECN MARK	ECN NO.	DESCRIPTION	DRAWN	DATE
A	⊗	—	NEW	ZhuChao	2022/12/02



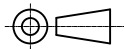
Recommended Mould Finger Layout  
Default Tolerance ±0.05



Recommended PCB Layout(Top View)  
Default Tolerance ±0.05

TABLE

NO.	PART NO	SPECIFICATION
1	WLM2-040A	HOUSING_LCP BLACK UL94-V0,CONTACT_C5210 Au 1u",Sn100u";PEG_C2680 Sn100u"

TOLERANCE X.X ±0.35 X.XX ±0.25 X.XXX ±0.10 ANGLE ±2.0°	MODEL NAME:	M.2 KEY E 4.0H GEN4	DRAWN:	ZhuChao
	MODEL NO:	SEE TABLE	CHECKED:	Youhua Cai
	UNIT:	SCALE:	REVISION:	SHEET:
	mm	1:1	A	2/2
 <b>WLCO</b> 深圳市兴万联电子有限公司 SHENZHEN XING WAN LIAN ELECTRONICS CO., LTD.	DWG NO:	C-WLM2-040A	APPROVED:	Youhua Cai
	FILE:	C	DATE:	2022/12/02