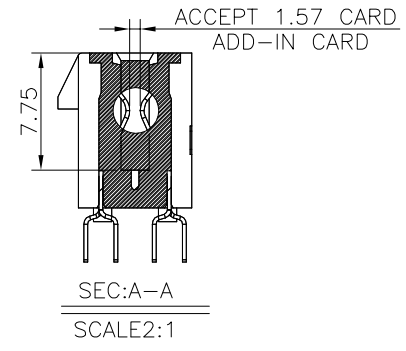
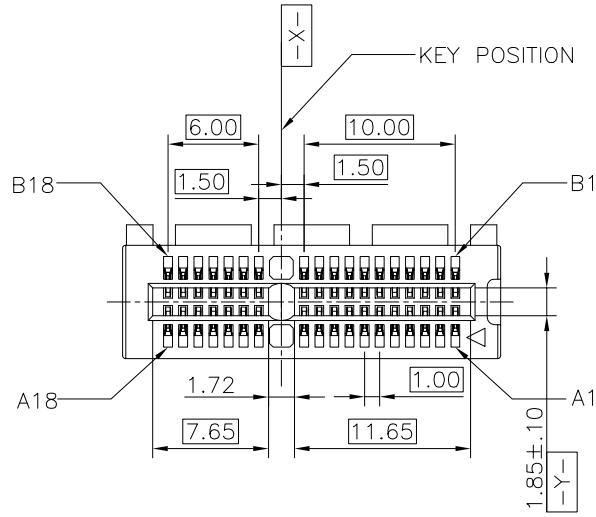
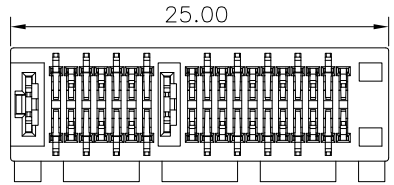
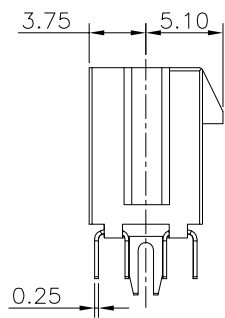
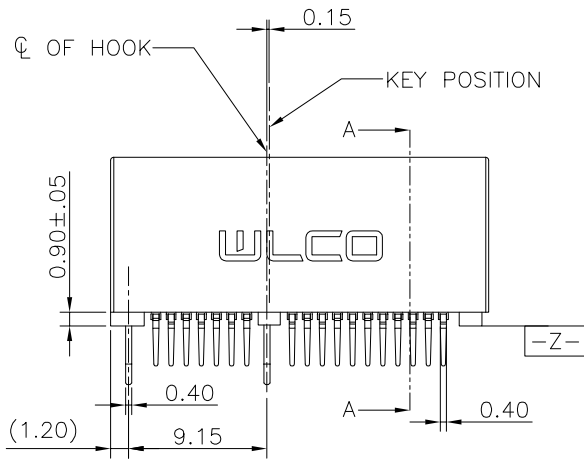
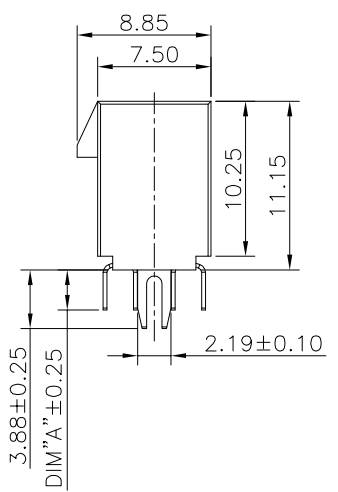


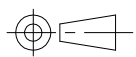
RoHS GP HF

| REV. | ECR/N NO. | DESCRIPTION | DRAWN | DATE |
|------|-----------|-------------|-----------|----------|
| E | — | — | LongQiang | 20/12/25 |
| F | — | — | XiaoPeng | 21/08/04 |
| G | — | — | XiaoPeng | 21/10/13 |



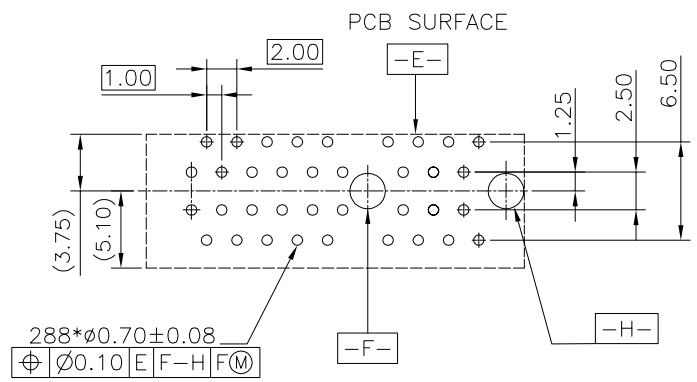
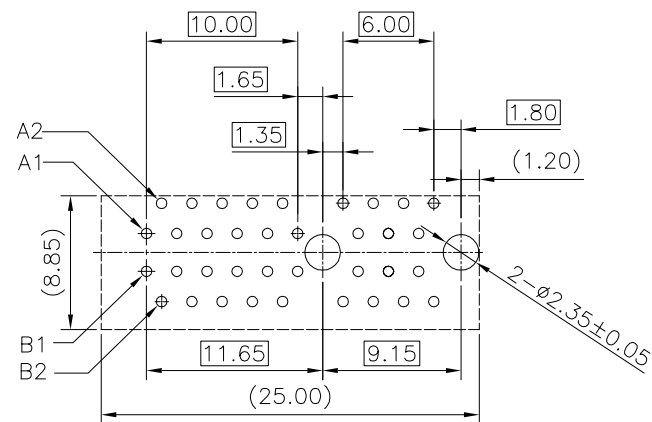
- NOTES:
- MATERIAL SPECIFICATION:
 - HOUSING:HIGH TEMP THERMOPLASTIC UL94-V0 V2 OR HB;
 - CONTACT:COPPER ALLOY;
 - HOOK:STEEL ALLOY OR STAINLESS ALLOY OR COPPER ALLOY;
 - PLATING SPECIFICATION:
 - CONTACT:
 - 50U NICKEL UNDERPLATED;
 - GOLD/NICKEL PLATING ON CONTACT AREA;
 - 100U MATTE TIN PLATING ON SOLDER AREA;
 - HOOK:
 - ONLY NICKEL PLATING;
 - OR NO PLATING;
 - OR 50U MIN NICKEL UNDERPLATED,100U MIN MATTE TIN;
 - MECHANICAL PERFORMANCE:
 - INSERTION FORCE:1.15N MAX PER PIN PAIR;
 - REMOVAL FORCE:0.15N MIN PER PIN PAIR;
 - DURABILITY:50 CYCLES MIN;
 - ELECTRICAL PERFORMANCE:
 - CURRENT RATING:1.1A PER PIN MIN;
 - LLCR:30mΩ MAX(INITIAL);
 - INSULATION RESISTANCE:1000MΩ MIN;
 - DIELECTRIC WITHSTAND VOLTAGE:0.5mA MAX;
 - HSF COMPLIANT.
 - WAVE SOLDERING PROCESS
 - RECOMMENDED CONDITION FOR WAVE SOLDERING:
 - 260±5°C AND IMMERSION DURATION 10±2 SECONDS.



| | | | | | |
|--|-------------------------------------|--------|-----------|-------|-----------------------|
| TOLERANCE | MODEL NAME:PCIE36P DOUBLE HOOK TYPE | | | | DRAWN: XiaoPeng.Zhang |
| X.X ±0.35 | MODEL NO: SEE TABLE | | | | CHECKED: YouHua.Cai |
| X.XX ±0.25 | UNIT: | SCALE: | REVISION: | SHEET | APPROVED: YouHua.Cai |
| X.XXX ±0.10 | mm | 2:1 | G | 1/3 | DATE: 2021/10/13 |
| ANGLE ±1.0° | DWG NO: CUS-WLPC-36P01 | | | | FILE: C |
|  WALCO 深圳市兴万联电子有限公司 SHENZHEN XING WAN LIAN ELECTRONICS CO.,LTD. | | | | | |

RoHS GP HF

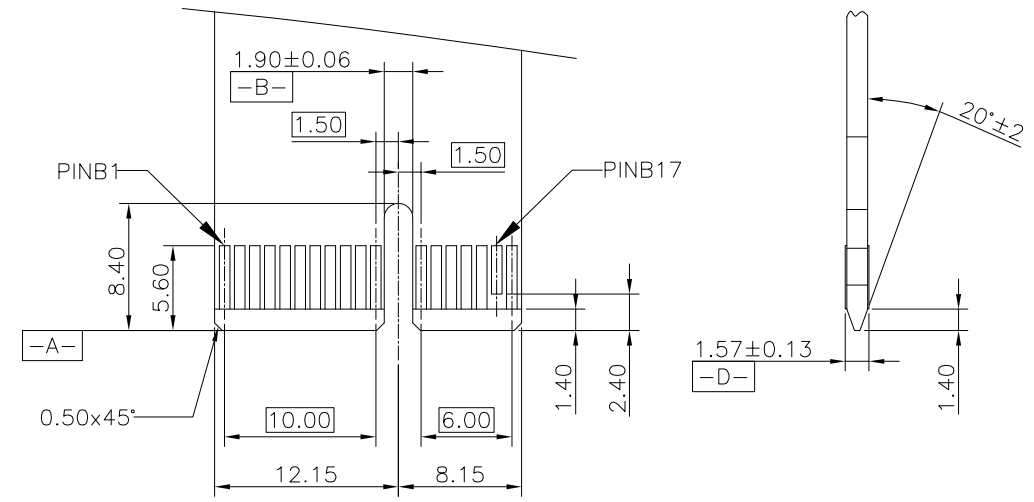
| REV. | ECR/N NO. | DESCRIPTION | DRAWN | DATE |
|------|-----------|-------------|-----------|----------|
| E | — | — | LongQiang | 20/12/25 |
| F | — | — | XiaoPeng | 21/08/04 |
| G | — | — | XiaoPeng | 21/10/13 |



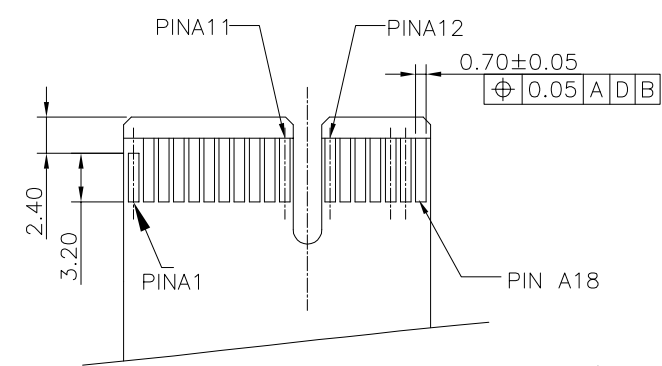
RECOMMENDED PCB LAYOUT
DEFAULT TOLERANCE ±0.05

NOTES:

1. NO TIE PERMITTED FROM CARD EDGE TO LEADING EDGE OF PAD FOR PINS A1 AND 'C'.
2. CHAMFER EDGES MUST BE FREE OF CUTTING BURRS.



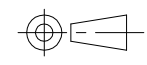
PRIMARY (COMPONENT) SIDE



SECONDARY (SOLDER) SIDE
RECOMMENDED CARD EDGE FINGER

DEFAULT TOLERANCE ±0.05

| TOLERANCE | MODEL NAME:PCIE36P DOUBLE HOOK TYPE | DRAWN: | XiaoPeng.Zhang |
|-------------|-------------------------------------|-----------|----------------|
| X.X ±0.35 | MODEL NO: SEE TABLE | CHECKED: | YouHua.Cai |
| X.XX ±0.25 | UNIT: mm | APPROVED: | YouHua.Cai |
| X.XXX ±0.10 | SCALE: 2:1 | DATE: | 2021/10/13 |
| ANGLE ±1.0° | REVISION: G | DWG NO: | CUS-WLPC-36P01 |
| | SHEET 2/3 | FILE: | C |



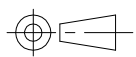
WLCO 深圳市兴万联电子有限公司
SHENZHEN XING WAN LIAN ELECTRONICS CO.,LTD.

RoHS GP HF

| REV. | ECR/N NO. | DESCRIPTION | DRAWN | DATE |
|------|-----------|-------------|-----------|----------|
| E | — | — | LongQiang | 20/12/25 |
| F | — | — | XiaoPeng | 21/08/04 |
| G | — | — | XiaoPeng | 21/10/13 |

TABLE

| NO. | PART NO. | SPECIFICATION | HSF COMPLIANT | DIM"A" |
|-----|-----------|--|----------------|--------|
| 1 | WLPC-019A | HOUSING_PA66 BLC AK UL94-HB, CONTACT_C2680 G/F Ni50u, HOOK_STEEL ALLOY NICKEL PLATING. | RoHS COMPLIANT | 2.70mm |
| | | | | |
| | | | | |
| | | | | |

| | | | | | | |
|--|--------------------------------------|--------|-----------|------------------------|-----------------------|--|
| TOLERANCE X.X ±0.35 X.XX ±0.25 X.XXX ±0.10 ANGLE ±1.0° | MODEL NAME: PCIE36P DOUBLE HOOK TYPE | | | | DRAWN: XiaoPeng.Zhang | |
| | MODEL NO: SEE TABLE | | | | CHECKED: YouHua.Cai | |
| | UNIT: | SCALE: | REVISION: | SHEET | APPROVED: YouHua.Cai | |
| | mm | 2:1 | G | 3/3 | DATE: 2021/10/13 | |
|  WLCO 深圳市兴万联电子有限公司 SHENZHEN XING WAN LIAN ELECTRONICS CO., LTD. | | | | DWG NO: CUS-WLPC-36P01 | | |
| | | | | FILE: C | | |