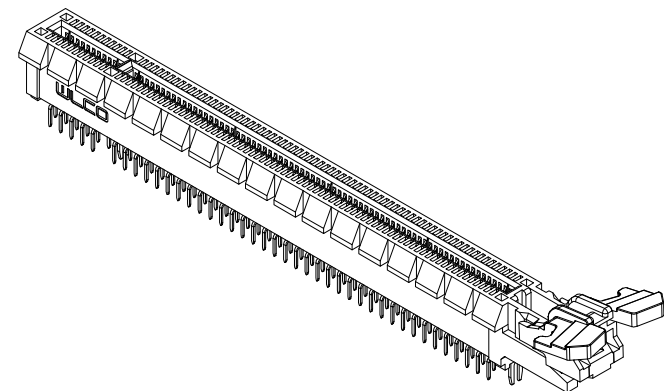
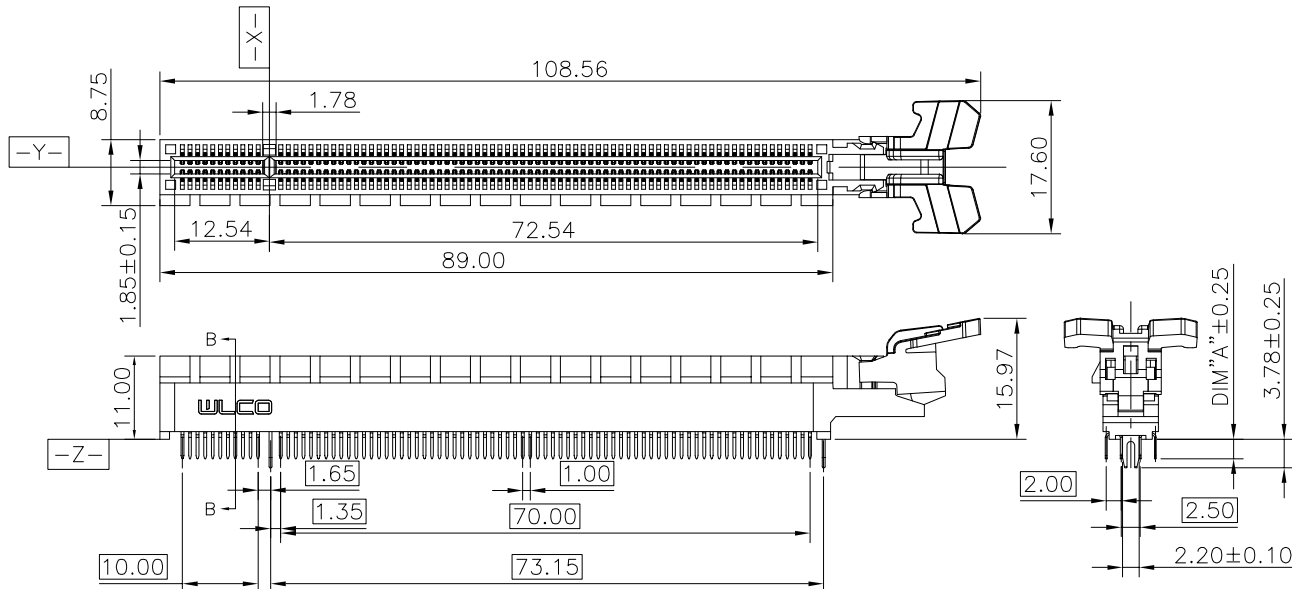
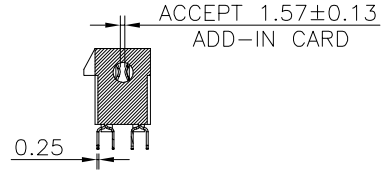
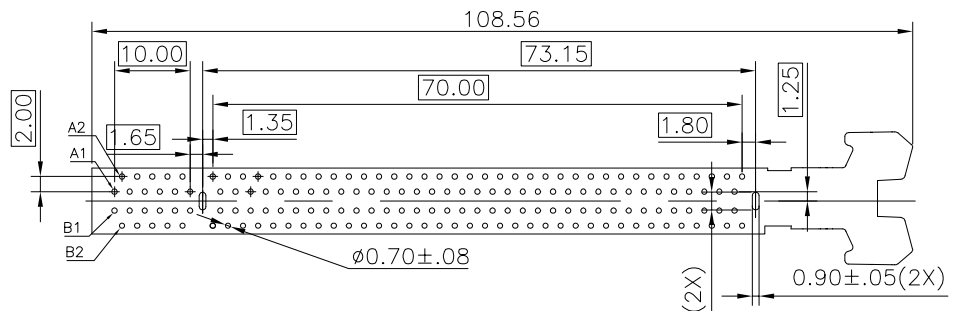
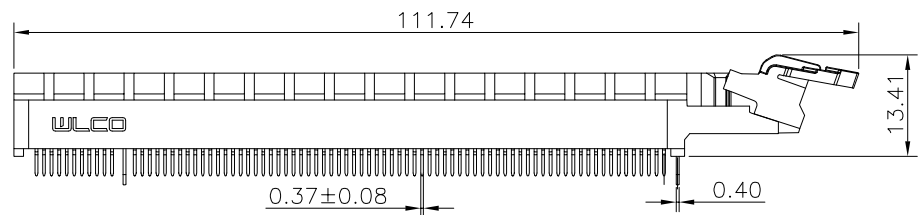


RoHS GP HF

REV.	ECR/N NO.	DESCRIPTION	DRAWN	DATE
A	_____	_____	LongQiang	20/04/13
B	_____	_____	LongQiang	20/05/18
C	_____	_____	XiaoPeng	21/10/22

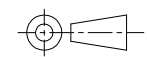


- NOTES:
- MATERIAL SPECIFICATION
 - 1-1.HOUSING:HIGH TEMPERATURE THERMOPLASTIC,UL94-V0 V2 OR HB;
 - 1-2.LATCH:HIGH TEMPERATURE THERMOPLASTIC,UL94-V0 V2 OR HB;
 - 1-3.CONTACT:COPPER ALLOY;
 - 1-4.HOOK:STEEL ALLOY OR STAINLESS ALLOY OR COPPER ALLOY;
 - PLATING SPECIFICATION
 - 2-1.CONTACT:
 - 50U" MIN NICKEL UNDERPLATED;
 - GOLD/NICKEL PLATING ON THE CONTACT AREA;
 - 100U" MIN MATTE TIN PLATING ON THE SOLDER AREA;
 - 2-2.HOOK:
 - ONLY NICKEL PLATING;
 - OR NO PLATING;
 - OR 50U MIN NICKEL UNDERPLATED,100U MIN MATTE TIN;
 - MECHANICAL PERFORMANCE
 - 3-1.INSERTION FORCE-MODULE TO CONNECTOR:1.15N MAX PER PAIR;
 - 3-2.DURABILITY:50 CYCLES;
 - 3-3.UNMATING FORCE(PER PIN PAIR):0.15N MIN;
 - ELECTRICAL PERFORMANCE
 - 4-1.CURRENT RATING:1.1A PER PIN MAX;
 - 4-2.LLCR:30mΩ MAX (INITIAL);
 - 4-3.INSULATION RESISTANCE:500V DC,1000MΩ MIN;
 - 4-4.DIELECRIC WITHSTAND VOLTAGE:500V AC,0.5mA MAX;
 - HSF COMPLIANT



RECOMMENDED PCB LAYOUT
DEFAULT TOLERANCE ±0.05

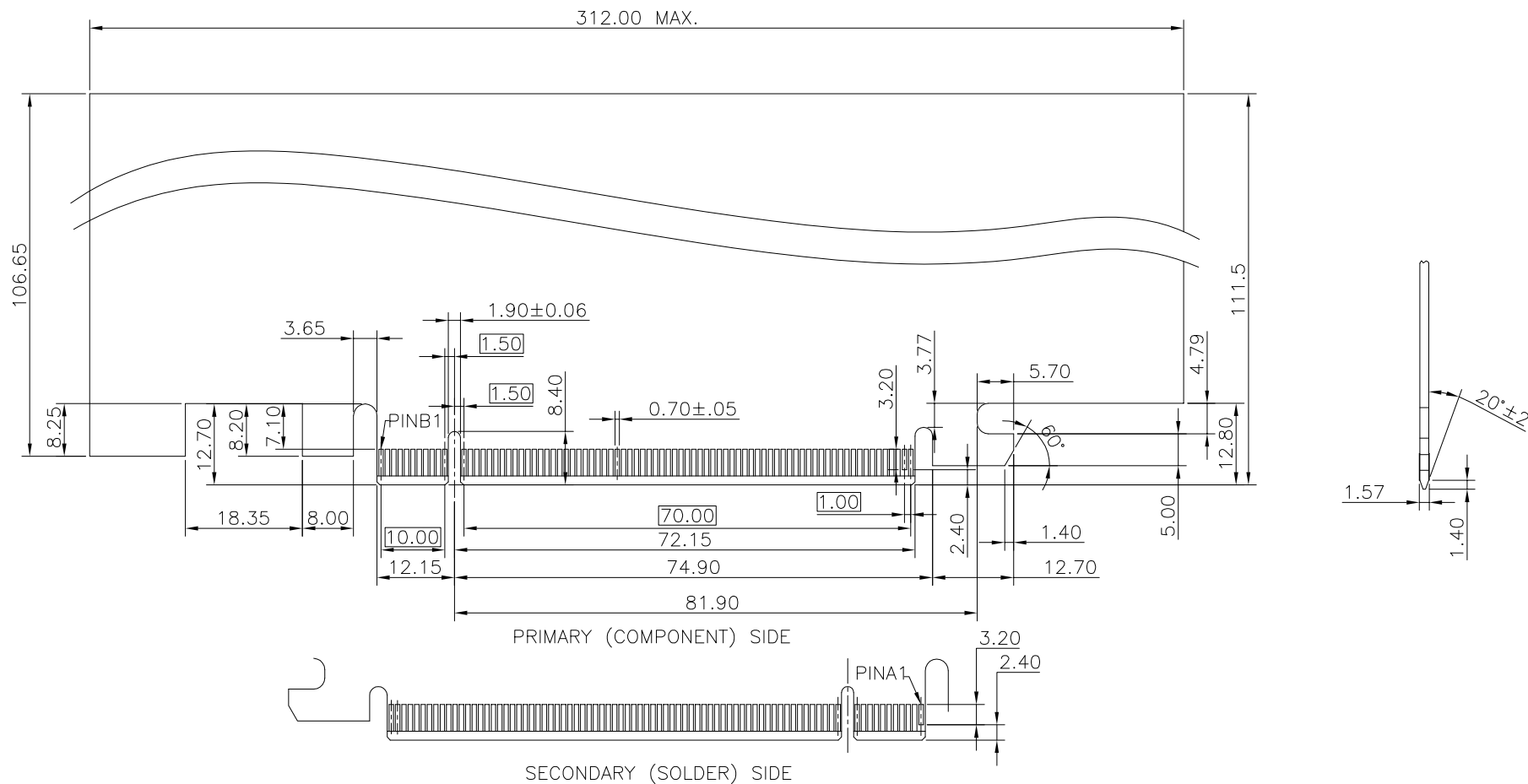
TOLERANCE	MODEL NAME:PCIE 164P WIDE LATCH TYPE	DRAWN:	XiaoPeng.Zhang
X.X ±0.35	MODEL NO: SEE TABLE	CHECKED:	YouHua.Cai
X.XX ±0.25	UNIT: mm	APPROVED:	YouHua.Cai
X.XXX ±0.10	SCALE: 1:1	DATE:	2021/10/22
ANGLE ±1.0°	REVISION: C	DWG NO:	CUS-WLPC-164P07
	SHEET 1/3	FILE:	C



WLCO 深圳市兴万联电子有限公司
SHENZHEN XING WAN LIAN ELECTRONICS CO., LTD.

RoHS GP HF


REV.	ECR/N NO.	DESCRIPTION	DRAWN	DATE
A	_____	_____	LongQiang	20/04/13
B	_____	_____	LongQiang	20/05/18
C	_____	_____	XiaoPeng	21/10/22



RECOMMENDED CARD EDGE FINGER
 DEFAULT TOLERANCE ±0.05

NOTES:

- NO TIE PERMITTED FROM CARD EDGE TO LEADING EDGE OF PAD FOR PINS A1 AND 'C'.
- CHAMFER EDGES MUST BE FREE OF CUTTING BURRS.

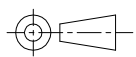
TOLERANCE	MODEL NAME:PCIE 164P WIDE LATCH TYPE				DRAWN:	XiaoPeng.Zhang
X.X ±0.35	MODEL NO: SEE TABLE				CHECKED:	YouHua.Cai
X.XX ±0.25	UNIT:	SCALE:	REVISION:	SHEET	APPROVED:	YouHua.Cai
X.XXX ±0.10	mm	1:1	C	2/3	DATE:	2021/10/22
ANGLE ±1.0°	 深圳市兴万联电子有限公司 SHENZHEN XING WAN LIAN ELECTRONICS CO.,LTD.				DWG NO:	CUS-WLPC-164P07
					FILE:	C

RoHS GP HF

REV.	ECR/N NO.	DESCRIPTION	DRAWN	DATE
A	_____	_____	LongQiang	20/04/13
B	_____	_____	LongQiang	20/05/18
C	_____	_____	XiaoPeng	21/10/22

TABLE

NO.	PART NO.	SPECIFICATION	HSF COMPLIANT	DIM"A"
1	WLPC-112A	HOUSING_PA66 BLACK UL94-HB LATCH_PA66 BLACK,CONTACT_C2680 G/F Ni50u,HOOK_STEEL ALLOY NICKEL PLATING.	RoHS COMPLIANT	2.50mm

TOLERANCE X.X ±0.35 X.XX ±0.25 X.XXX ±0.10 ANGLE ±1.0°	MODEL NAME:PCIE 164P WIDE LATCH TYPE				DRAWN: XiaoPeng.Zhang
	MODEL NO: SEE TABLE				CHECKED: YouHua.Cai
	UNIT:	SCALE:	REVISION:	SHEET	APPROVED: YouHua.Cai
	mm	1:1	C	3/3	DATE: 2021/10/22
		WLCO 深圳市兴万联电子有限公司 SHENZHEN XING WAN LIAN ELECTRONICS CO.,LTD.			DWG NO:CUS-WLPC-164P07
					FILE: C