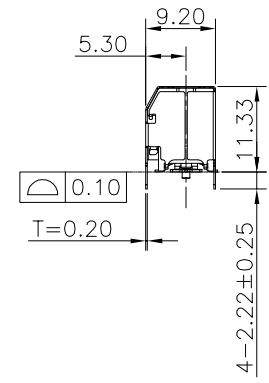
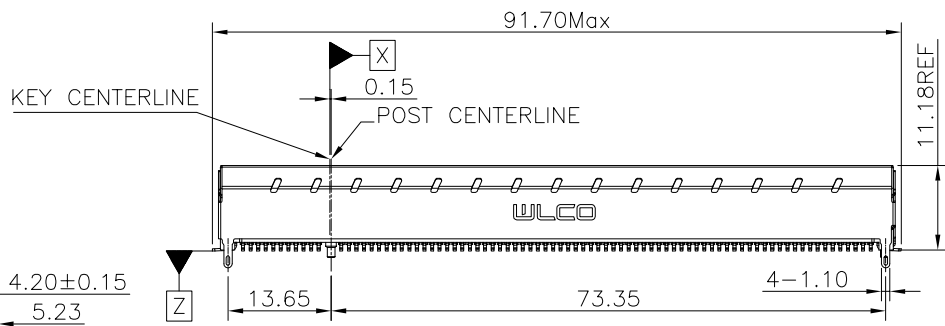
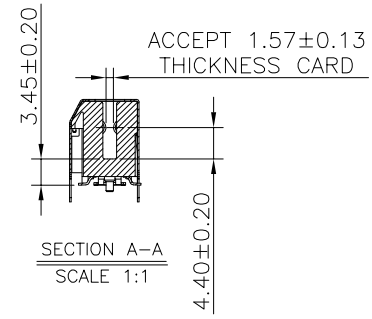
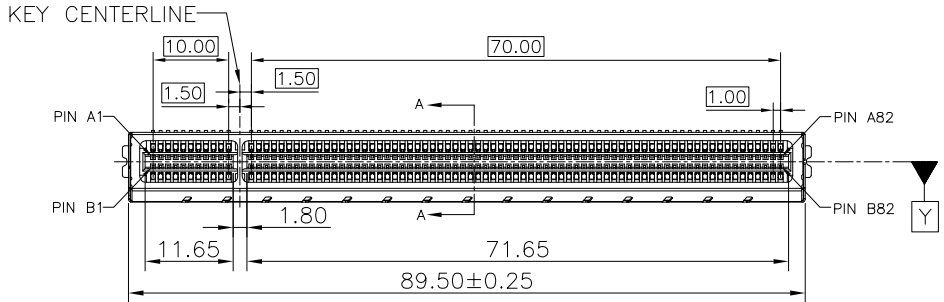
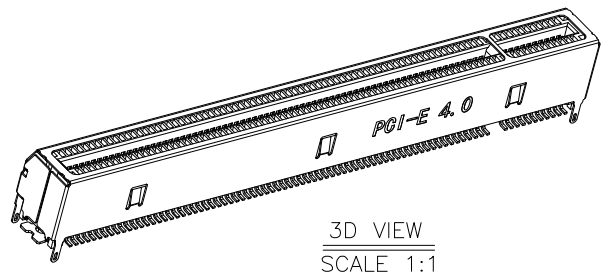
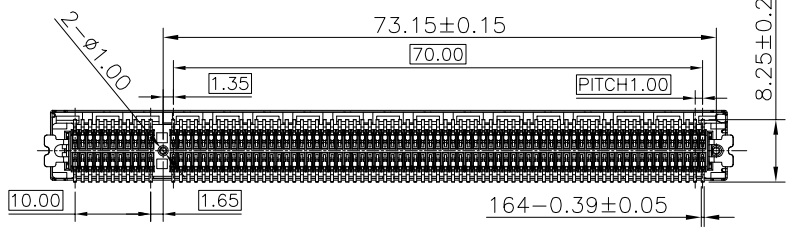



RoHS GP HF

REV.	ECR/N NO.	DESCRIPTION	DRAWN	DATE
A	—	—	XiaoPeng	21/05/27

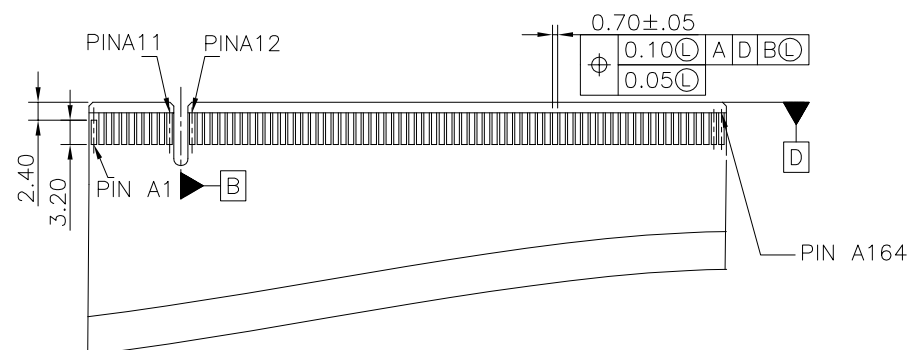
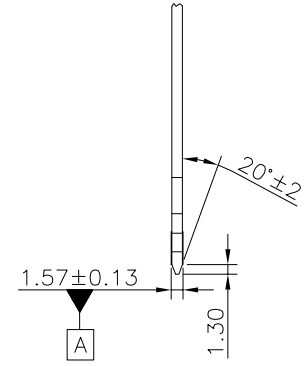
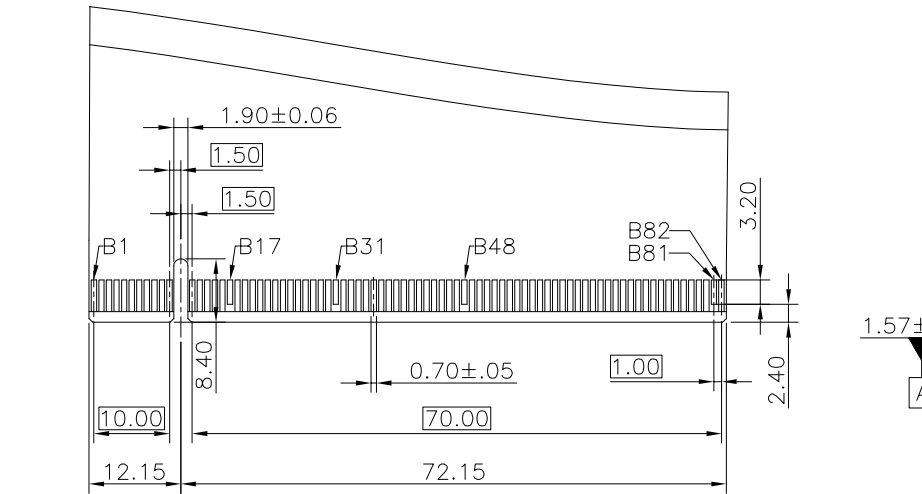


- NOTES:
- MATERIAL SPECIFICATION:
 - 1-1.HOUSING:HIGH TEMP THERMOPLASTIC UL94-V0 V2 OR HB;
 - 1-2.CONTACT:COPPER ALLOY;
 - 1-3.HOOK:STELL ALLOY OR COPPER ALLOY;
 - PLATING SPECIFICATION:
 - 2-1.CONTACT:
 - 50U NICKEL UNDERPLATED;
 - GOLD/NICKEL PLATING ON CONTACT AREA;
 - 100U MATTE TIN PLATING ON SOLDER AREA;
 - 2-2.HOOK:
 - 50U NICKEL PLATING;
 - OR NO PLATING;
 - OR 50U NICKEL UNDERPLATED AND 100U MATTE TIN ;
 - MECHANICAL PERFORMANCE:
 - 3-1.INSERTION FORCE:1.15N MAX PER PIN PAIR;
 - 3-2.REMOVAL FORCE:0.15N MIN PER PIN PAIR;
 - 3-3.DURABILITY:50 CYCLES MIN;
 - ELECTRICAL PERFORMANCE:
 - 4-1.CURRENT RATING:1.1A PER PIN MIN;
 - 4-2.LLCR:30mΩ MAX(INITIAL);
 - 4-3.INSULATION RESISTANCE:1000MΩ MIN;
 - 4-4.DIELECTRIC WITHSTAND VOLTAGE:500V AC MIN;
 - HSF COMPLIANT.
 - RECOMMENDED CONDITION FOR SMT SOLDERING:
 - PEAK TEMPERATURE SHALL BE 260+/-5°C
 - DURATION 10+/-1 SECONDS.



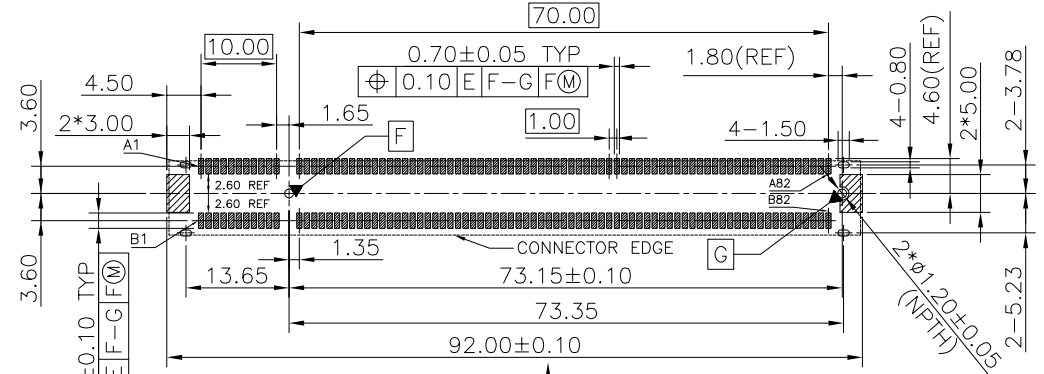
TOLERANCE	MODEL NAME: PCI-E 164PIN 4.0 SMT TYPE WITH SHELL				DRAWN: XIAOPENG.ZHANG
X.X ±0.35	MODEL NO: SEE TABLE				CHECKED: YOUHUA.CAI
X.XX ±0.25	UNIT:	SCALE:	REVISION:	SHEET	APPROVED:YOUHUA.CAI
X.XXX ±0.10	mm	1:1	A	1/3	DATE: 2021/05/27
ANGLE ±1.0°	 深圳市兴万联电子有限公司 SHENZHEN XING WAN LIAN ELECTRONICS CO.,LTD.				DWG NO:C-WLPC-164P23
					FILE: C

REV.	ECR/N NO.	DESCRIPTION	DRAWN	DATE
A	—	—	XiaoPeng	21/05/27



RECOMMENDED CARD EDGE FINGER
 DEFAULT TOLERANCE ±0.05

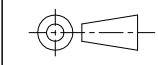
- NOTES:
- NO TIE PERMITTED FROM CARD EDGE TO LEADING EDGE OF PAD FOR PINS A1 AND 'C'.
 - CHAMFER EDGES MUST BE FREE OF CUTTING BURRS.



DATUM E IS THE PCB SURFACE

RECOMMENDED PCB LAYOUT
 DEFAULT TOLERANCE ±0.05

TOLERANCE	MODEL NAME: PCI-E 164PIN 4.0 SMT TYPE WITH SHELL				DRAWN: XIAOPENG.ZHANG	
X.X ±0.35	MODEL NO: SEE TABLE				CHECKED: YOUHUA.CAI	
X.XX ±0.25	UNIT:	SCALE:	REVISION:	SHEET	APPROVED: YOUHUA.CAI	
X.XXX ±0.10	mm	1:1	A	2/3	DATE: 2021/05/27	
ANGLE ±1.0°	DWG NO: C-WLPC-164P23				FILE: C	



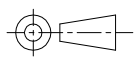
WLCO 深圳市兴万联电子有限公司
 SHENZHEN XING WAN LIAN ELECTRONICS CO., LTD.

RoHS GP HF

REV.	ECR/N NO.	DESCRIPTION	DRAWN	DATE
A	—	—	XiaoPeng	21/05/27

TABLE

NO.	PART NO.	SPECIFICATION	HSF COMPLIANT
1	WLPC-126A	HOUSING_PA10T BLACK UL94-V0,CONTACT_C5191 15u Ni50u,HOOK_STEEL ALLOY MATTE TIN,SHELL_SUS Ni50u.	RoHS COMPLIANT

<p>TOLERANCE</p> <p>X.X ±0.35</p> <p>X.XX ±0.25</p> <p>X.XXX ±0.10</p> <p>ANGLE ±1.0°</p>	MODEL NAME: PCI-E 164PIN 4.0 SMT TYPE WITH SHELL				DRAWN: XIAOPENG.ZHANG	
	MODEL NO: SEE TABLE				CHECKED: YOUHUA.CAI	
	UNIT:	SCALE:	REVISION:	SHEET	APPROVED:YOUHUA.CAI	
	mm	1:1	A	3/3	DATE: 2021/05/27	
		<p>WLCO 深圳市兴万联电子有限公司</p> <p>SHENZHEN XING WAN LIAN ELECTRONICS CO.,LTD.</p>			DWG NO:C-WLPC-164P23	
					FILE: C	