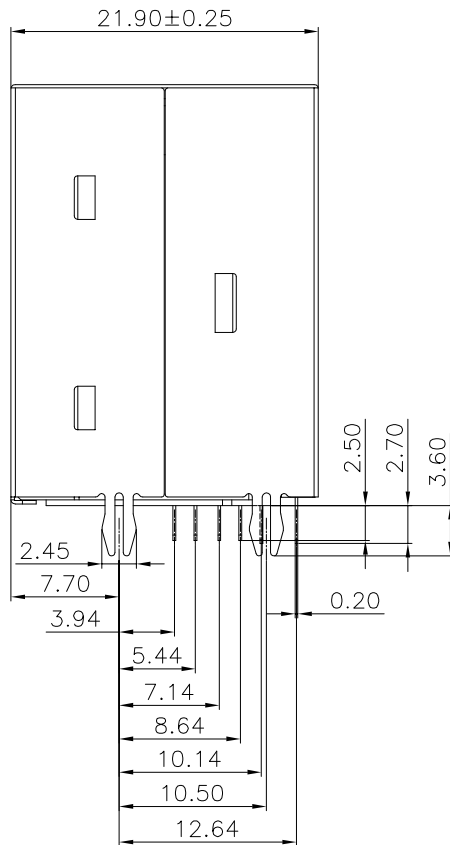
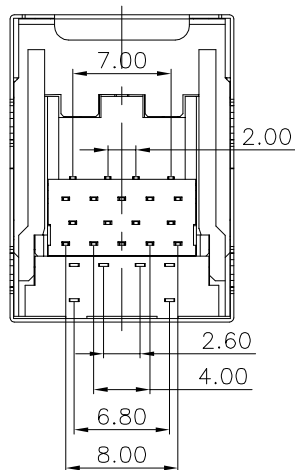
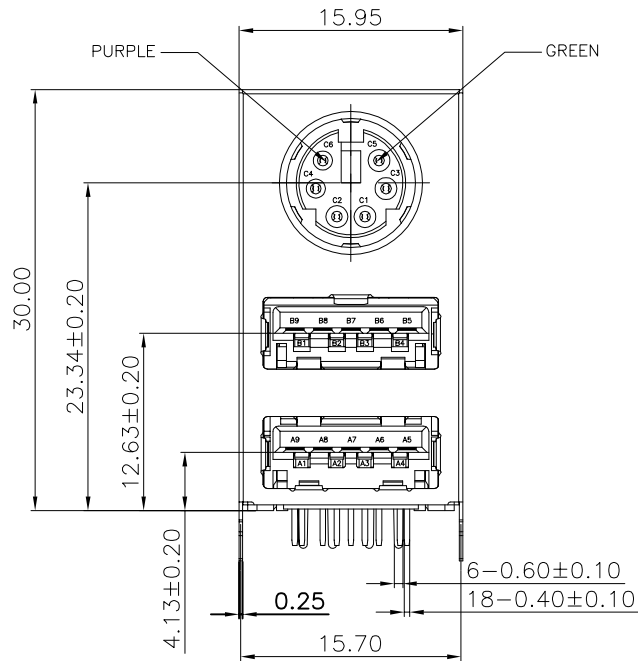


RoHS

GP

HF

REV.	ECR/N NO.	DESCRIPTION	DRAWN	DATE
A	/	NEW	YAOSHIXUAN	2018/05/13



NOTES:

1. MATERIAL:

1-1. USB HOUSING: PBT,UL94V-0; COLOR: BLUE(300C).

1-2. MINI DIN HOUSING: PBT,UL94V-0; COLOR: PURPLE(2715C) GREEN(3385C).

1-3 .MINI DIN COVER: PBT,UL94V-0; COLOR: BLACK.

1-4. CONTACT: C2680,T=0.20±0.05mm.

1-5. SHELL: SUS304,T=0.25±0.05mm.

1-6. MIDDLE SPRING: SUS201,T=0.25±0.05mm.

2. FINISH:

2-1. CONTACT: GOLD PLATED ON CONTACT AREA, TIN 80u" PLATED ON SOLDER TAILS, NICKEL 30u" UNDERPLATING OVER ALL.

2-2. SHELL: NICKEL 30u" PLATING OVER ALL.

3. SPECIFICATION:

3-1. USB 3.0:
MATING FORCE: 3.57Kgf Max.
UNMATING FORCE: 1.0Kgf Min.
DURABILITY: 5000 CYCLES.

3-2. MINI DIN:
MATING FORCE: 4.0Kgf Max.
UNMATING FORCE: 0.9Kgf Min
DURABILITY: 500 CYCLES.

3-3. LNSERTION FORCE OF CONN. LNTO PCB 2Kgf Max.

3-4. SALT SPRAY: 48H

3-5. WAVE SOLDRELNG (THROUGH-HOLE COMPONENT).

OVEN TEMPERDTURE:260°C/5 Sec.

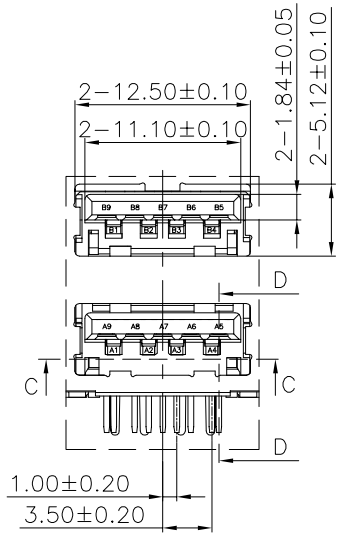
TOLERANCE	MODEL NAME: MINI DIN双色紫绿+双层USB3.0蓝色 PBT塑胶 SUS304外壳 无弹 鱼叉间距10.5 端子半金锡6.F	DRAWN: DENGJU		
X.X ±0.35	MODEL NO: WLMD-065A	CHECKED: YAOSHIXUAN		
X.XX ±0.25	UNIT: mm	SCALE: 1:1	REVISION: A	SHEET 1/2
X.XXX ±0.10				APPROVED: WUHUAMING
ANGLE ±2.0°				DATE: 2018/05/13
	 WLCO 深圳市兴万联电子有限公司 SHENZHEN XING WAN LIAN ELECTRONICS CO.,LTD.	DWG NO:		
		FILE: C		

RoHS

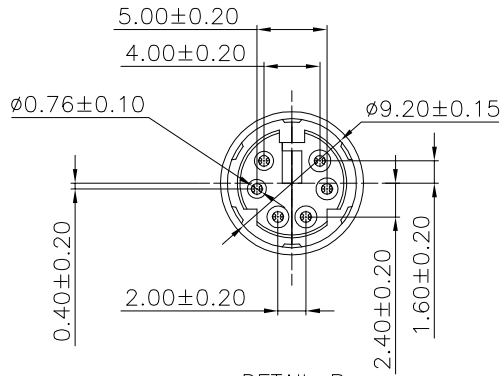
GP

HF

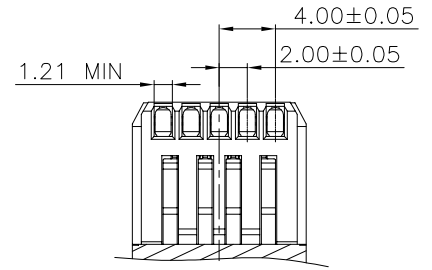
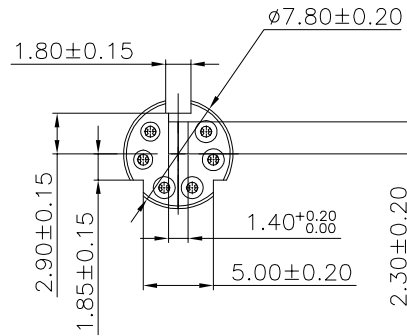
REV.	ECR/N NO.	DESCRIPTION	DRAWN	DATE
A	/	NEW	YAOSHIXUAN	2018/05/13



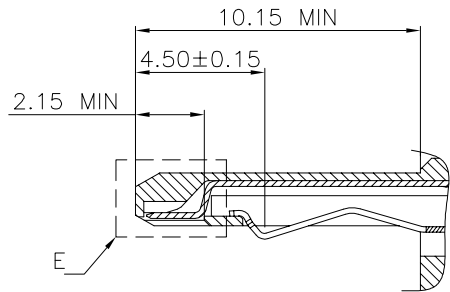
DETAIL A
SCALE 1:1



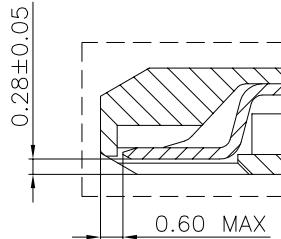
DETAIL B
SCALE 1:1



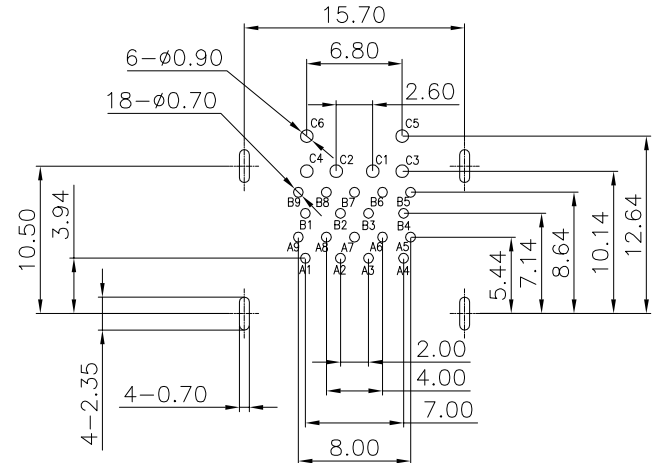
SEC C:C
SCALE 1:1



SEC D:D
SCALE 2:1



DETAIL E
SCALE 4:1



RECOMMENDED PCB LAYOUT(TOP VIEW)

T=1.60mm DEFAULT TOLERANCE ±0.05

TOLERANCE	MODEL NAME: MINI DIN双色紫绿+双层USB3.0蓝色 PBT塑胶 SUS304外壳 无弹 鱼叉间距10.5 端子半金锡6.F	DRAWN: DENGJU
X.X ±0.35	MODEL NO: WLMD-065A	CHECKED: YAOSHIXUAN
X.XX ±0.25	UNIT: SCALE: REVISION: SHEET	APPROVED: WUHUAMING
X.XXX ±0.10	mm 1:1 A 2/2	DATE: 2018/05/13
ANGLE ±2.0°		
 WLCO 深圳市兴万联电子有限公司 SHENZHEN XING WAN LIAN ELECTRONICS CO.,LTD.	DWG NO:	
	FILE: C	