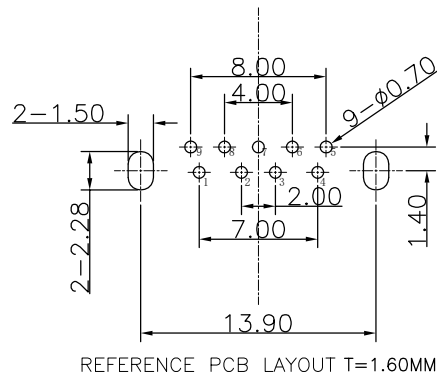
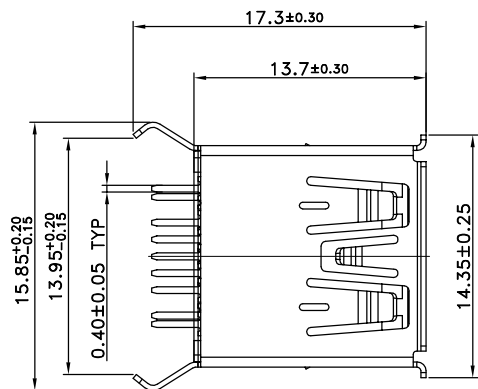


RoHS GP HF

REV.	ECR/N NO.	DESCRIPTION	DRAWN	DATE
A	/	NEW	DENGJU	2018/12/01



SPECIFICATIONS:

Contact current Rating:

- 1.8 Amperes for pin1&pin4.
- 0.25 Amperes other contacts

Dielectric Withstanding Voltage:AC 500V(RMS)
Insulation resistance:1000Megohms Minimum.

Contact Resistance:

- 30mΩ Max for pin1&pin4
- 30mΩMax for other contacts

Mechanical Characteristics:

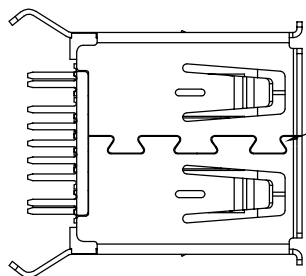
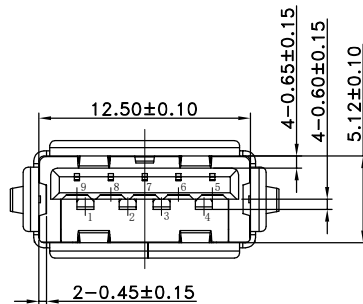
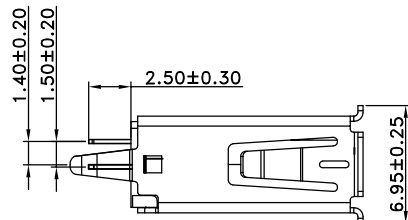
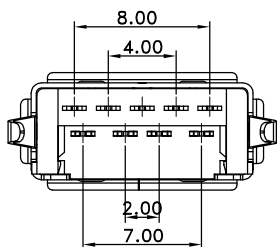
- Mating Force:35 Newtoms.Maximum
- Unmating Force:10 Newtoms.Minimum.
- 8N Min After Durability

MATERIAL:

- Housing: LCP 94V-0 COLOR:BLUE 300C
- Contact: COPPER ALLOY T=0.25±0.02 mm
- Shell: SUS T=0.30±0.02 mm

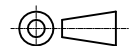
PLATING:

- Contact: Au G/F Plated on contact area
- Tin 100U" Plated on solder area
- Nickel 50U" underplating over all
- Shell: Cu 50U"/Nickel 50U" Plated



推力测试:要求20N Min推力, 接缝不下凹开裂;

ITEM	PART NAME	Material	Q'TY	REMARK
1	Housing	LCP	1	Blue 300C UL94V-0
2	COVER	LCP	1	Blue 300C UL94V-0
3	4 PIN Contact	COPPER ALLOY	4	Plating G.F/Tin
4	5 PIN Contact	COPPER ALLOY	5	Plating G.F/Tin
5	Shell	SUS	1	Plating Ni
TOLERANCE		MODEL NAME: 单层USB3.0 A-TYPE 180度 蓝胶 H13.7 外壳卷边弯脚		DRAWN: DENGJU
X.X	±0.35	MODEL NO: WLUS-149A		CHECKED: YAOSHIXUAN
X.XX	±0.25	UNIT:	SCALE:	REVISION:
X.XXX	±0.10	mm	1:1	A
ANGLE	±2.0°	SHEET 1/1		APPROVED: WUHUAMING
				DATE: 2018/12/01
DWG NO:				FILE: C



WLCO 深圳市兴万联电子有限公司
SHENZHEN XING WAN LIAN ELECTRONICS CO.,LTD.