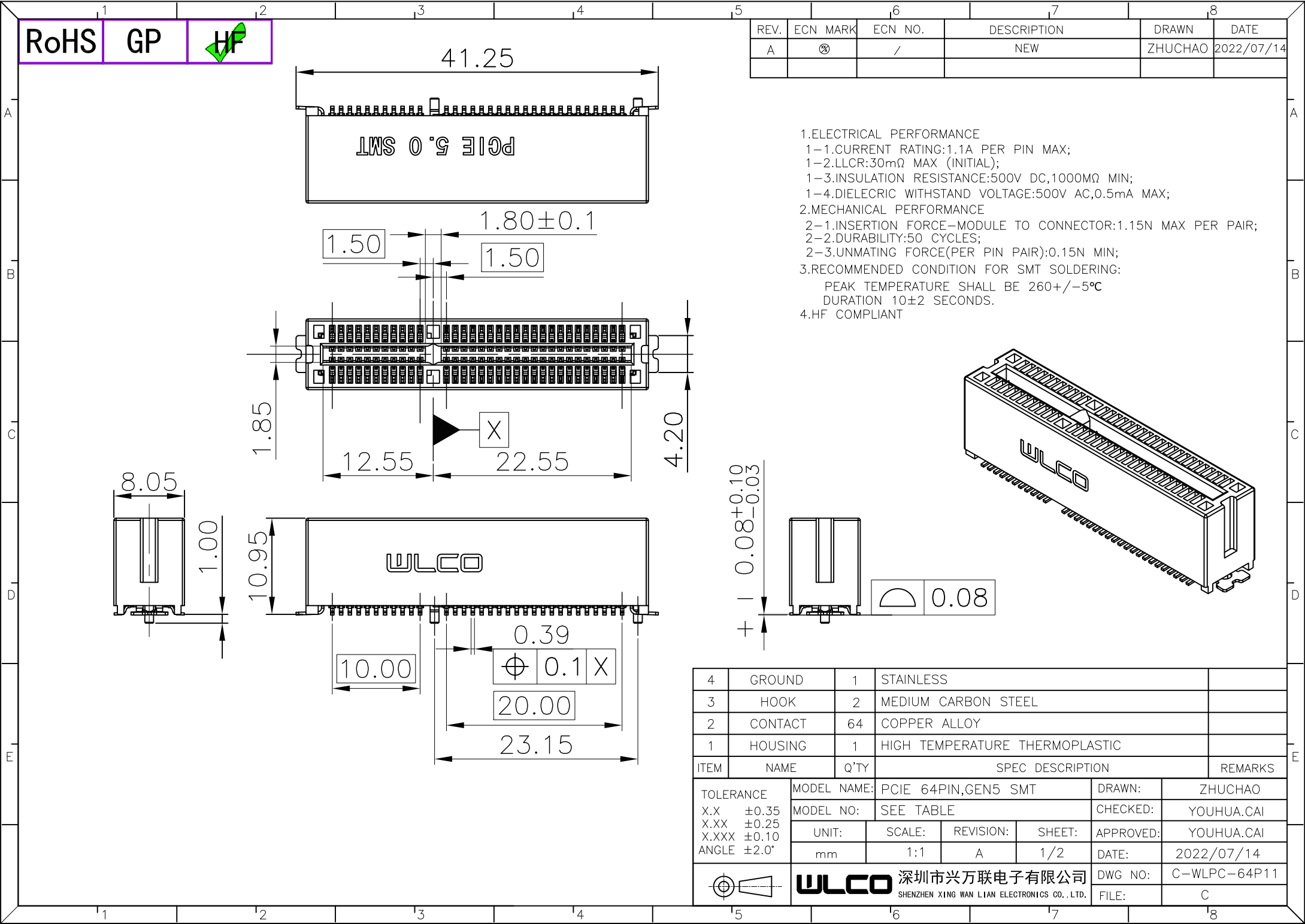


RoHS GP HF

REV.	ECN MARK	ECN NO.	DESCRIPTION	DRAWN	DATE
A	⊗	/	NEW	ZHUCHAO	2022/07/14



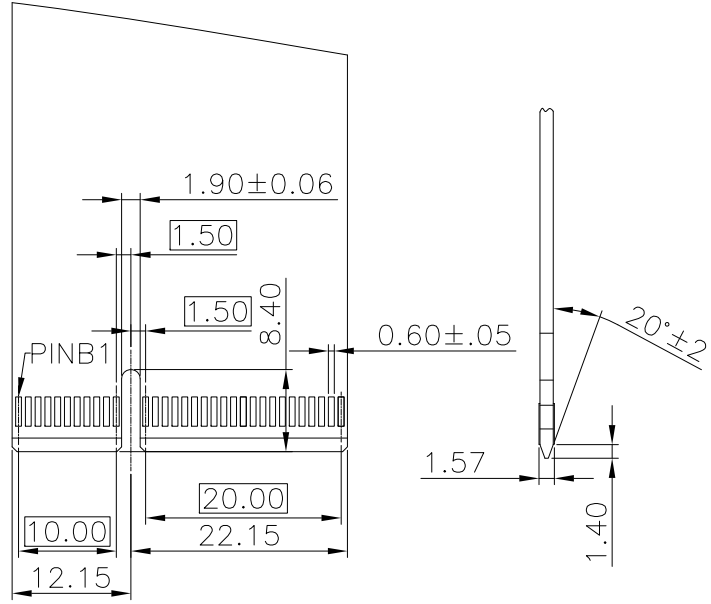
- ELECTRICAL PERFORMANCE
 - CURRENT RATING: 1.1A PER PIN MAX;
 - LLCR: 30mΩ MAX (INITIAL);
 - INSULATION RESISTANCE: 500V DC, 1000MΩ MIN;
 - DIELECTRIC WITHSTAND VOLTAGE: 500V AC, 0.5mA MAX;
- MECHANICAL PERFORMANCE
 - INSERTION FORCE-MODULE TO CONNECTOR: 1.15N MAX PER PAIR;
 - DURABILITY: 50 CYCLES;
 - UNMATING FORCE (PER PIN PAIR): 0.15N MIN;
- RECOMMENDED CONDITION FOR SMT SOLDERING:
 - PEAK TEMPERATURE SHALL BE 260+/-5°C
 - DURATION 10±2 SECONDS.
- HF COMPLIANT

4	GROUND	1	STAINLESS	
3	HOOK	2	MEDIUM CARBON STEEL	
2	CONTACT	64	COPPER ALLOY	
1	HOUSING	1	HIGH TEMPERATURE THERMOPLASTIC	
ITEM	NAME	Q'TY	SPEC DESCRIPTION	REMARKS
TOLERANCE		MODEL NAME:	PCI-E 64PIN, GEN5 SMT	DRAWN: ZHUCHAO
X.X	±0.35	MODEL NO.:	SEE TABLE	CHECKED: YOUHUA.CAI
X.XX	±0.25	UNIT:	SCALE:	REVISION:
X.XXX	±0.10	mm	1:1	A
ANGLE	±2.0°	SHEET:	1/2	APPROVED: YOUHUA.CAI
		DATE:	2022/07/14	
		DWG NO.:	C-WLPC-64P11	
		FILE:	C	

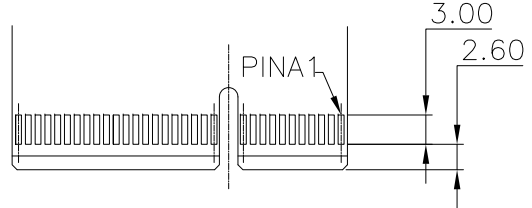
WILCO 深圳市兴万联电子有限公司
SHENZHEN XING WAN LIAN ELECTRONICS CO., LTD.

RoHS GP HF

REV.	ECN MARK	ECN NO.	DESCRIPTION	DRAWN	DATE
A	⊗	/	NEW	ZHUCHAO	2022/07/14



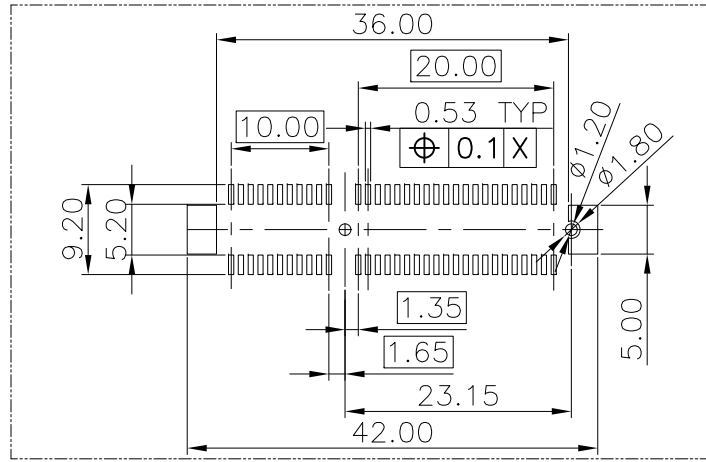
PRIMARY (COMPONENT) SIDE



SECONDARY (SOLDER) SIDE

RECOMMENDED CARD EDGE FINGER

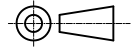
DEFAULT TOLERANCE ±0.05



RECOMMENDED PCB LAYOUT
DEFAULT TOLERANCE ±0.05

NOTES:

- NO TIE PERMITTED FROM CARD EDGE TO LEADING EDGE OF PAD FOR PINS A1 AND 'C'.
- CHAMFER EDGES MUST BE FREE OF CUTTING BURRS.

TOLERANCE X.X ±0.35 X.XX ±0.25 X.XXX ±0.10 ANGLE ±2.0°	MODEL NAME:	PCIE 64PIN,GEN5 SMT			DRAWN:	ZHUCHAO
	MODEL NO:	SEE TABLE			CHECKED:	YOUHUA.CAI
	UNIT:	SCALE:	REVISION:	SHEET:	APPROVED:	YOUHUA.CAI
	mm	1:1	A	2/2	DATE:	2022/07/14
 WLCO 深圳市兴万联电子有限公司 SHENZHEN XING WAN LIAN ELECTRONICS CO.,LTD.				DWG NO:	C-WLPC-64P11	
				FILE:	C	

1 RoHS

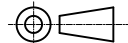
2 GP



REV.	ECN MARK	ECN NO.	DESCRIPTION	DRAWN	DATE
A	⊗	/	NEW	ZHUCHAO	2022/07/14

TABLE

NO.	PART NO.	SPECIFICATION	HSF COMPLIANT
1	WLPC-143A	HOUSING_PA10T BLACK UL94-V0,CONTACT_C5191 Au 15u" Sn100u",HOOK_S50C Sn100u",GROUND SUS301.	HF COMPLIANT

TOLERANCE X.X ±0.35 X.XX ±0.25 X.XXX ±0.10 ANGLE ±2.0°	MODEL NAME:	PCIE 64PIN,GEN5 SMT			DRAWN:	ZHUCHAO
	MODEL NO:	SEE TABLE			CHECKED:	YOUHUA.CAI
	UNIT:	SCALE:	REVISION:	SHEET:	APPROVED:	YOUHUA.CAI
	mm	1:1	A	1/1	DATE:	2022/07/14
		WLCO 深圳市兴万联电子有限公司 SHENZHEN XING WAN LIAN ELECTRONICS CO.,LTD.			DWG NO:	C-WLPC-143A
					FILE:	C